

# MINI POTENCE PIVOTANTE

*Charlotte Perriand*

Charlotte Perriand was inspired by the sailboat boom when, in 1938, she conceived the Potence Pivotante, a purist masterpiece reduced to the essentials. Designed as a highly accessible swivel lamp, realized using two black tubular sections assembled in the shape of an inverted L to lead the electrical wire from the switch to the bulb.

Available with a 2-meter arm and in the MINI version with reduced dimensions. Potence Pivotante is available in aluminium and matte black painted metal and in the new red and grey finishes.

The original version is equipped with a Globo E27 bulb, while the MINI version is available with G9 mount and diffuser in opal sandblasted glass. The arm attached to the wall rotates 180° horizontally. Power cord supplied with plug and dimmer.



## LED/HALO

### LAMPING

Source	halopin G9 QT-14
Total power	4W
Emission	diffused
Switching	dimmable
Tension	230V
Color temperature	2700K
Luminous flux	400lm (source luminous flux)
Typ CRI	80
Dimensions	50x100
Materials	steel + aluminium
Notes	orientable, switch on cable, max power allowed: 25W G9 HALO bulb, cover for direct wall electrical installation (no plug), dimmable (only with direct wall electrical installation), cable length 2,5m, also available in 120V, G9 LED included, red RAL3004, grey RAL7046, blue RAL5002, black RAL9005
Accessories	Wall electrical installation cover, black, red, grey
Net lamp weight	1 kg

### Codes

POM HNW 31
POM HRW 31
POM HDW 31

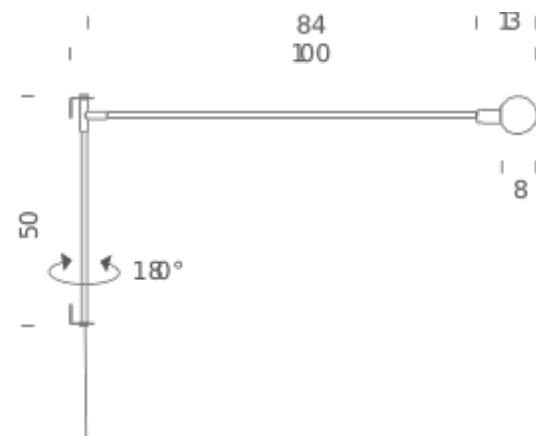
### Structure

black
red
grey

### PACKAGE

Package 01	Dimension: 101x20x12 cm / Gross weight: 2 kg
------------	--

### Certificazioni



wall electrical installation cover

