

KEPLER PETITE

Arihiro Miyake

Small version of the Kepler lamp only with down light. Suspension lamp in extruded aluminum powder coated. Available versions in white, black and the new gold finish. The continuous line is made through a three-dimensional process of extruded aluminum engineered by Nemo and it is designed based on the geometric principle of the Moebius strip.



DOWNLIGHT 2700K

LAMPING

| | |
|-------------------|--|
| Source | Linear LED |
| Total power | 55W |
| Emission | diffused downlight |
| Switching | dimnable 1-10V |
| Tension | 110/240V |
| Color temperature | 2700K |
| Luminous flux | 1954lm |
| Typ CRI | 85 |
| Materials | aluminium + PC |
| Notes | adjustable cable length from 2,5m to 0,4m, DALI version on request, TRIAC VERSION on request |
| Net lamp weight | 1,3 kg |

Codes

KES LWW 54
KES LNN 54
KES LOW 54

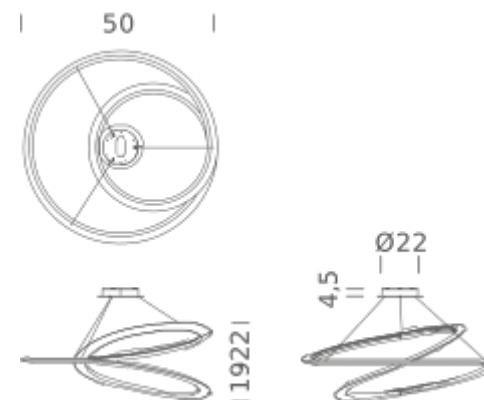
Structure

white
black
gold painted

PACKAGE

Package 01 Dimension: 50x50x22 cm / Gross weight: 3,1 kg

Certificazioni



DOWNLIGHT 3000K

LAMPING

| | |
|-------------------|--|
| Source | Linear LED |
| Total power | 55W |
| Emission | diffused downlight |
| Switching | dimmable 1-10V |
| Tension | 110/240V |
| Color temperature | 3000K |
| Luminous flux | 1954lm |
| Typ CRI | 85 |
| Materials | aluminium + PC |
| Notes | adjustable cable length from 2,5m to 0,4m, DALI version on request |
| Net lamp weight | 1,3 kg |

Codes

KES LWW 52
KES LNN 52
KES LOW 52

Structure

white
black
gold painted

PACKAGE

Package 01 Dimension: 50x50x22 cm / Gross weight: 3,1 kg

Certificazioni

