

ELBA CEILING

Family of indoor spotlights for accent lighting.

The luminaire is rotatable by 90° vertically and 355° horizontally to allow the free orientation of the light in any direction.

The heat dissipation structure and built-in driver are combined in an integrated design with a compact and minimal aesthetic.

The light beam angle is adjustable to meet any lighting requirement.



DIMMABLE TRIAC | 2700K

LAMPING

Source	LED spot
Total power	13W
Emission	Direct adjustable 15°-55°
Switching	Dimmable triac
Tension	220/240V
Color temperature	2700K
Luminous flux	900lm
Typ CRI	> 90
IP class	20
Dimensions	ø5,6x18cm
Materials	Aluminum

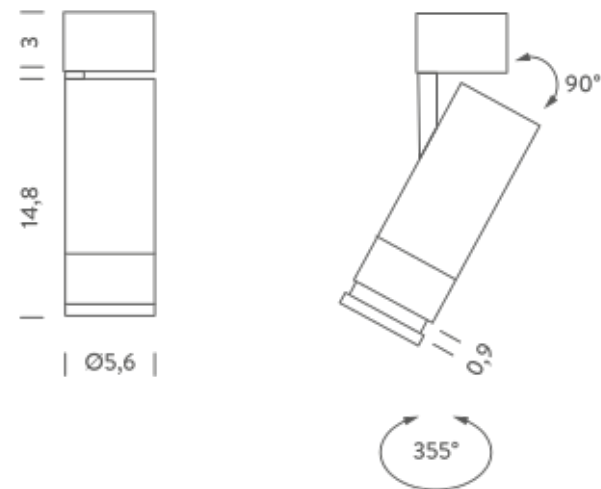
Codes

ELB LW2 41
ELB LN2 41

Structure

white
black

Certificazioni



DIMMABLE TRIAC | 3000K

LAMPING

Source	LED spot
Total power	13W
Emission	Direct adjustable 15°-55°
Switching	Dimmable triac
Tension	220/240V
Color temperature	3000K
Luminous flux	900lm
Typ CRI	> 90
IP class	20
Dimensions	ø5,6x18cm
Materials	Aluminum

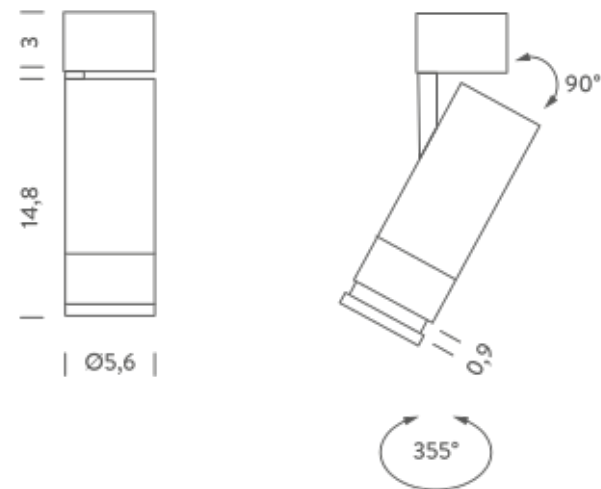
Codes

ELB LW3 41
ELB LN3 41

Structure

white
black

Certificazioni



DIMMABLE 0-10V | 2700K

LAMPING

Source	LED spot
Total power	13W
Emission	Direct adjustable 15°-55°
Switching	Dimmable 0-10V
Tension	220/240V
Color temperature	2700K
Luminous flux	900lm
Typ CRI	> 90
IP class	20
Dimensions	ø5,6x18cm
Materials	Aluminum

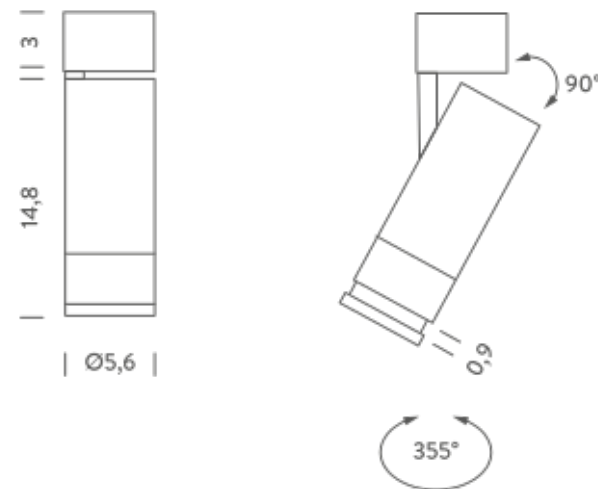
Codes

ELB LW2 42
ELB LN2 42

Structure

white
black

Certificazioni



DIMMABLE 0-10V | 3000K

LAMPING

Source	LED spot
Total power	13W
Emission	Direct adjustable 15°-55°
Switching	Dimmable 0-10V
Tension	220/240V
Color temperature	3000K
Luminous flux	900lm
Typ CRI	> 90
IP class	20
Dimensions	ø5,6x18cm
Materials	Aluminum

Codes

ELB LW3 42
ELB LN3 42

Structure

white
black

Certificazioni

