

# CAPRI

Family of indoor spotlights for accent lighting.

The luminaire is rotatable by 90° vertically and 355° horizontally to allow the free orientation of the light in any direction.

The excellent heat dissipation structure and the built-in driver are perfectly combined together in an integrated design with a aesthetic compact and minimal aesthetic.

The light beam angle is adjustable to meet any lighting requirement.



## DIMMABLE TRIAC | 2700K

### LAMPING

Source	LED spot
Total power	23W
Emission	Direct adjustable 15°-55°
Switching	Dimmable triac
Tension	220/240V
Color temperature	2700K
Luminous flux	1700lm
Typ CRI	> 90
IP class	20
Dimensions	ø7,3x17cm
Notes	compatible with track 3~230V
Net lamp weight	0,83 kg

### Codes

CAP LW2 81  
CAP LN2 81

### Structure

white  
black

### PACKAGE

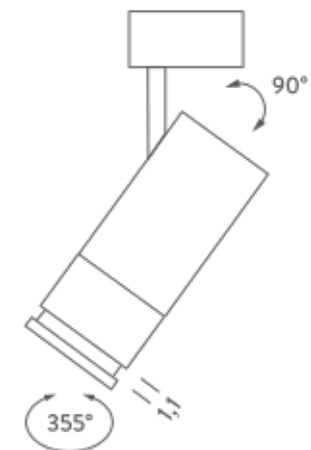
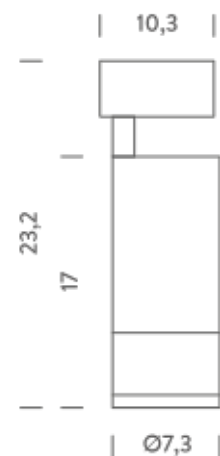
Package 01

Dimension: 38,3x30,4x36,8 cm / Gross weight: 0,92 kg

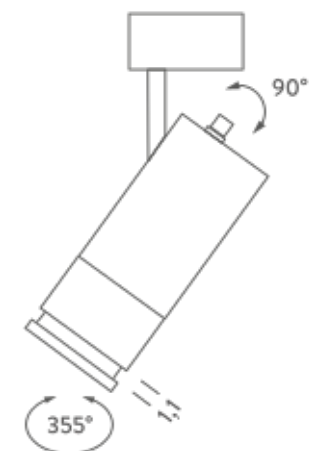
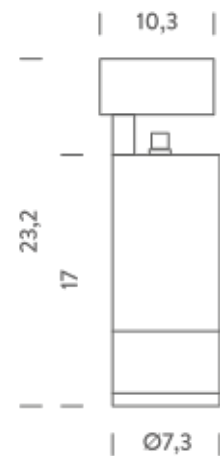
### Certificazioni



CAPRI



CAPRI DOB



# DIMMABLE TRIAC | 3000K

## LAMPING

Source	LED spot
Total power	23W
Emission	Direct adjustable 15°-55°
Switching	Dimmable triac
Tension	220/240V
Color temperature	3000K
Luminous flux	1700lm
Typ CRI	> 90
IP class	20
Dimensions	ø7,3x17cm
Notes	compatible with track 3~230V
Net lamp weight	0,83 kg

## Codes

CAP LW3 81  
CAP LN3 81

## Structure

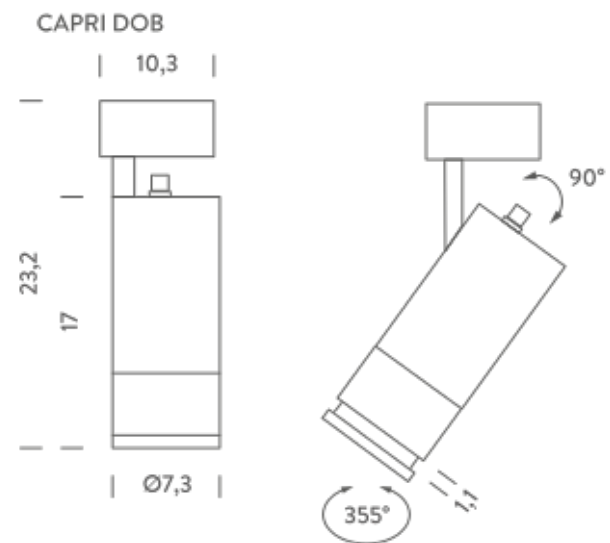
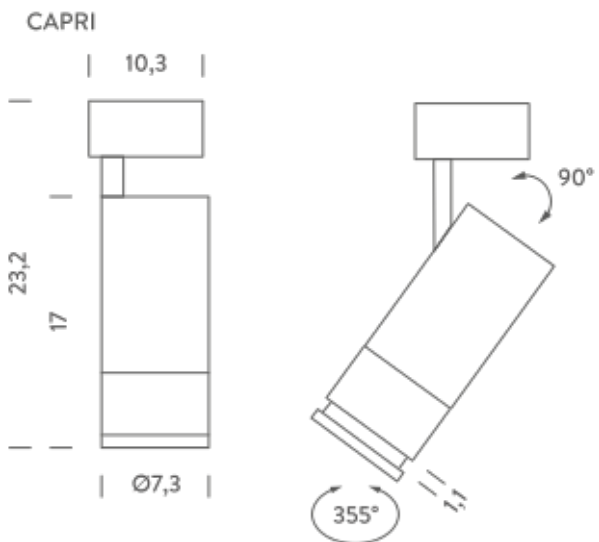
white  
black

## PACKAGE

Package 01

Dimension: 38,3x30,4x36,8 cm / Gross weight: 0,92 kg

## Certificazioni



## DIMMABLE 0-10V | 2700K

### LAMPING

Source	LED spot
Total power	23W
Emission	Direct adjustable 15°-55°
Switching	Dimmable 0-10V
Tension	220/240V
Color temperature	2700K
Luminous flux	1700lm
Typ CRI	> 90
IP class	20
Dimensions	ø7,3x17cm
Notes	compatible with track 3~230V
Net lamp weight	0,86 kg

### Codes

CAP LW2 82  
CAP LN2 82

### Structure

white  
black

### PACKAGE

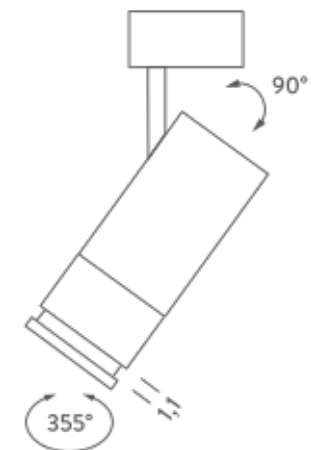
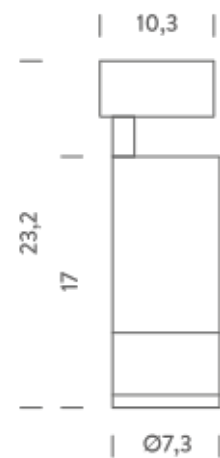
Package 01

Dimension: 38,3x30,4x36,8 cm / Gross weight: 0,96 kg

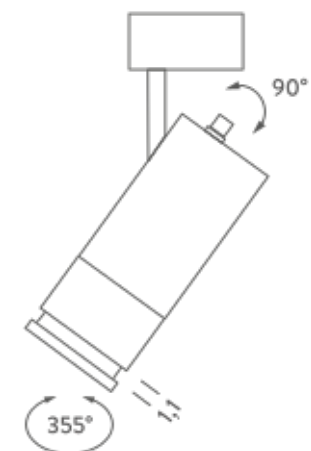
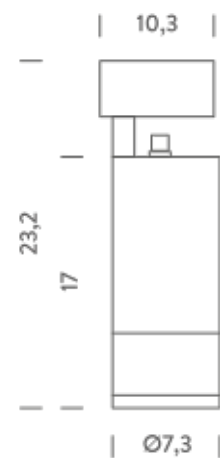
### Certificazioni



CAPRI



CAPRI DOB



## DIMMABLE 0-10V | 3000K

### LAMPING

Source	LED spot
Total power	23W
Emission	Direct adjustable 15°-55°
Switching	Dimmable 0-10V
Tension	220/240V
Color temperature	3000K
Luminous flux	1700lm
Typ CRI	> 90
IP class	20
Dimensions	ø7,3x17cm
Notes	compatible with track 3~230V
Net lamp weight	0,86 kg

### Codes

CAP LW3 82  
CAP LN3 82

### Structure

white  
black

### PACKAGE

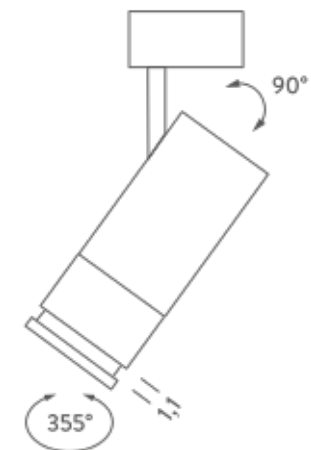
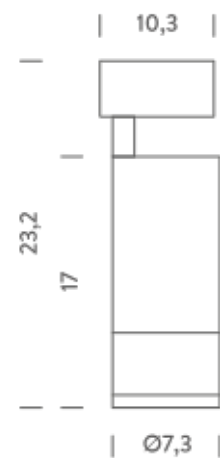
Package 01

Dimension: 38,3x30,4x36,8 cm / Gross weight: 0,96 kg

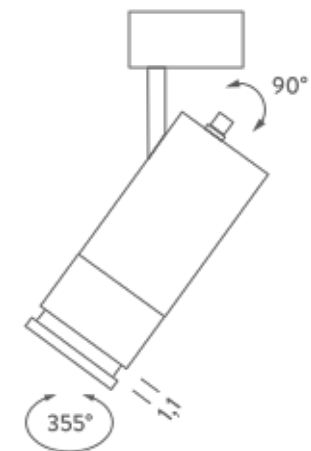
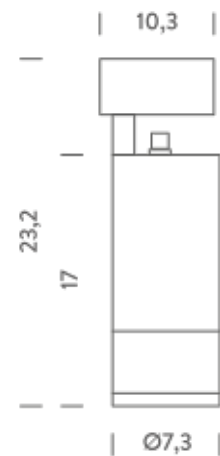
### Certificazioni



CAPRI



CAPRI DOB



## DIMMABLE DALI | 2700K

### LAMPING

Source	LED spot
Total power	23W
Emission	Direct adjustable 15°-55°
Switching	Dimmable DALI
Tension	220/240V
Color temperature	2700K
Luminous flux	1700lm
Typ CRI	> 90
IP class	20
Dimensions	ø7,3x17cm
Notes	compatible with track 3~230V
Net lamp weight	0,88 kg

### Codes

CAP LW2 83  
CAP LN2 83

### Structure

white  
black

### PACKAGE

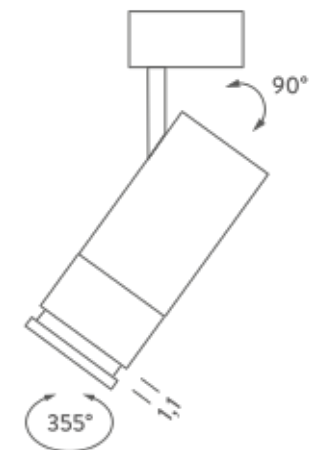
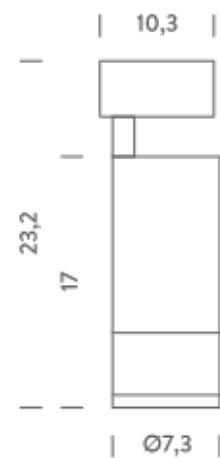
Package 01

Dimension: 38,3x30,4x36,8 cm / Gross weight: 0,97 kg

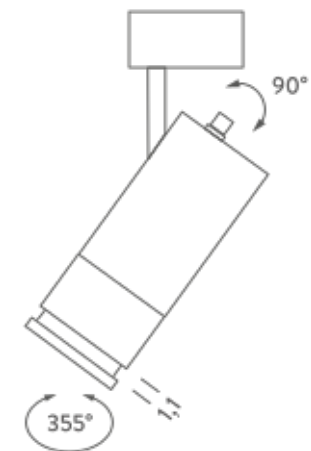
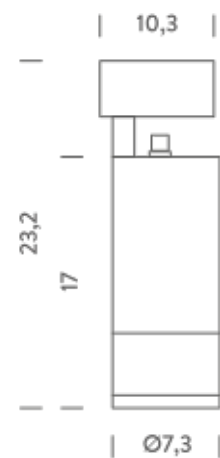
### Certificazioni



CAPRI



CAPRI DOB



## DIMMABLE DALI | 3000K

### LAMPING

Source	LED spot
Total power	23W
Emission	Direct adjustable 15°-55°
Switching	Dimmable DALI
Tension	220/240V
Color temperature	3000K
Luminous flux	1700lm
Typ CRI	> 90
IP class	20
Dimensions	ø7,3x17cm
Notes	compatible with track 3~230V
Net lamp weight	0,88 kg

### Codes

CAP LW3 83  
CAP LN3 83

### Structure

white  
black

### PACKAGE

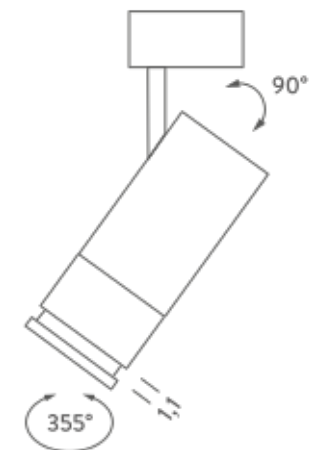
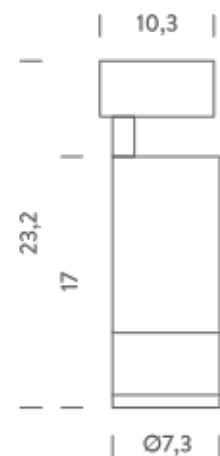
Package 01

Dimension: 38,3x30,4x36,8 cm / Gross weight: 0,97 kg

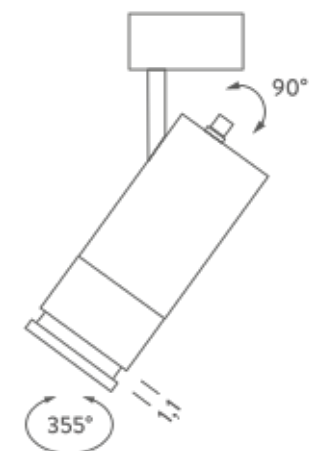
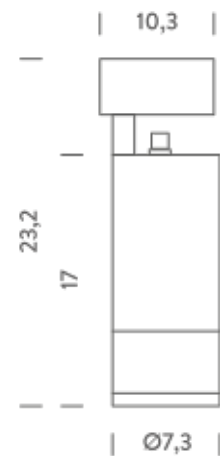
### Certificazioni



CAPRI



CAPRI DOB



## DIMMER ON BOARD 1-10V | 2700K

### LAMPING

Source	LED spot
Total power	23W
Emission	direct adjustable 15°55°
Switching	dimmer on board
Tension	220/240V
Color temperature	2700K
Luminous flux	1700lm
Typ CRI	>90
IP class	20
Dimensions	ø7,3x17cm
Notes	compatible with track 3~230V
Net lamp weight	0,83 kg

### Codes

CAPLN2 84  
CAP LW2 84

### Structure

black  
white

### PACKAGE

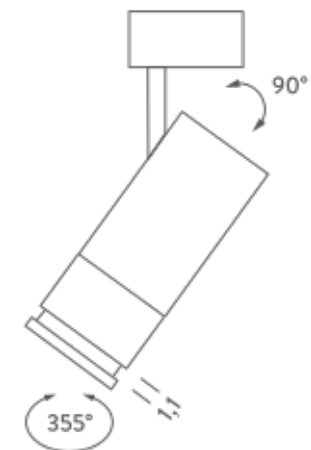
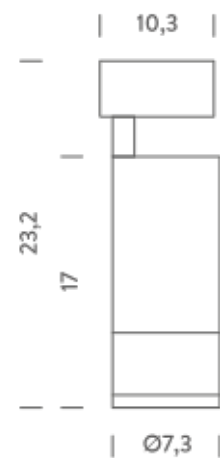
Package 01

Dimension: 38,3x30,4x36,8 cm / Gross weight: 0,92 kg

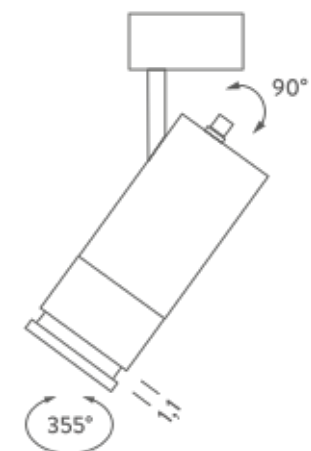
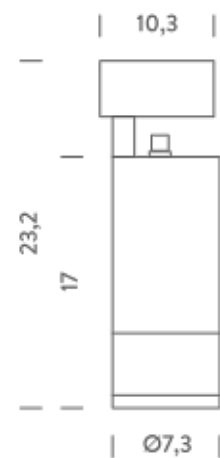
### Certificazioni

UK  
CA

CAPRI



CAPRI DOB





## DIMMER ON BOARD 1-10V | 3000K

### LAMPING

Source	LED spot
Total power	23W
Emission	direct 15°-55°
Switching	dimmer on board
Tension	220/240V
Color temperature	3000K
Luminous flux	1700lm
Typ CRI	>90
IP class	20
Dimensions	ø7,3x17
Notes	compatible with track 3~230V
Net lamp weight	0,88 kg

### Codes

CAP LN3 84  
CAP LW3 84

### Structure

black  
white

### PACKAGE

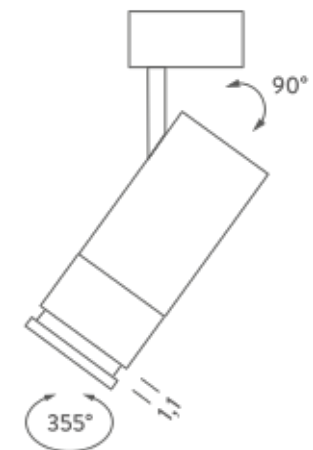
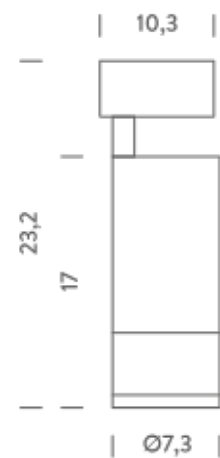
Package 01

Dimension: 38,3x30,4x36,8 cm / Gross weight: 0,92 kg

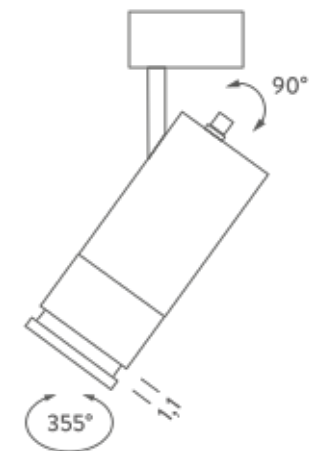
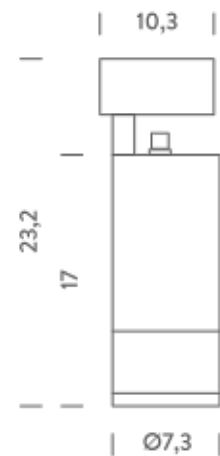
### Certificazioni



CAPRI



CAPRI DOB



## CASAMBI (BLUETOOTH) | 2700K

### LAMPING

Source	LED spot
Total power	23W
Emission	direct 15°-55°
Switching	CASAMBI (bluetooth)
Tension	220/240V
Color temperature	2700K
Luminous flux	1700lm
Typ CRI	>90
Notes	compatible with track 3~230V

### Codes

CAP LN2 85  
CAP LW2 85

### Structure

black  
white

### PACKAGE

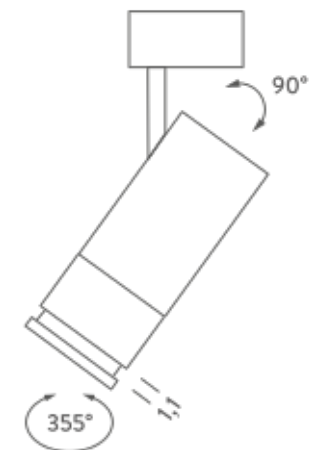
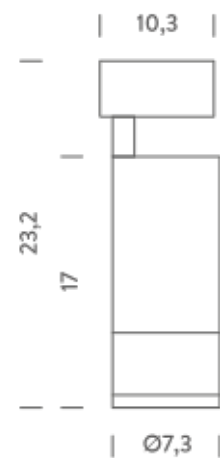
Package 01

Dimension: 38,3x30,4x36,8 cm / Gross weight: 0,92 kg

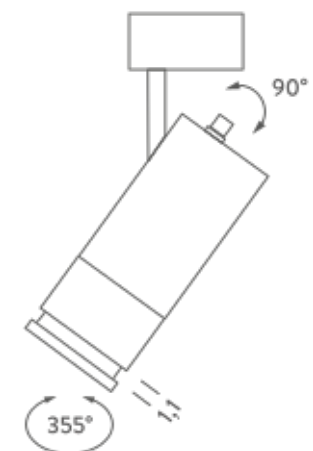
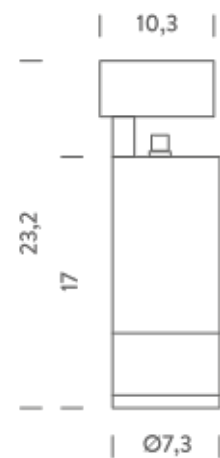
### Certificazioni

UK  
CA

CAPRI



CAPRI DOB



## CASAMBI (BLUETOOTH) | 3000K

### LAMPING

Source	LED spot
Total power	23W
Emission	direct 15°-55°
Switching	CASAMBI (bluetooth)
Tension	220/240V
Color temperature	3000K
Luminous flux	1700lm
Typ CRI	>90
Notes	compatible with track 3~230V

### Codes

CAP LN3 85  
CAP LW3 85

### Structure

black  
white

### PACKAGE

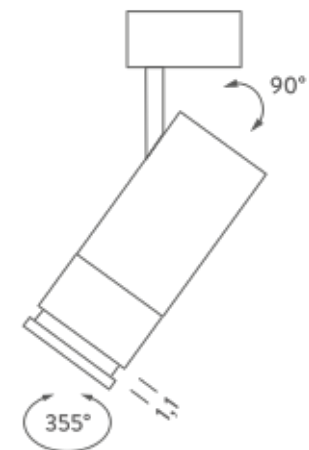
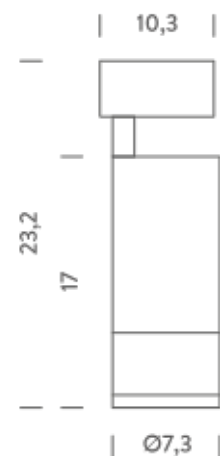
Package 01

Dimension: 38,3x30,4x36,8 cm / Gross weight: 0,92 kg

### Certificazioni

UK  
CA

CAPRI



CAPRI DOB

