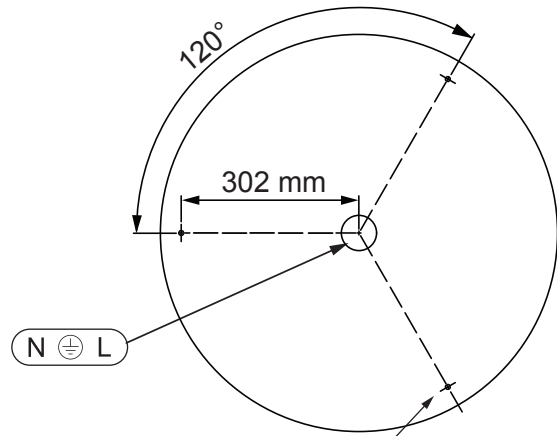
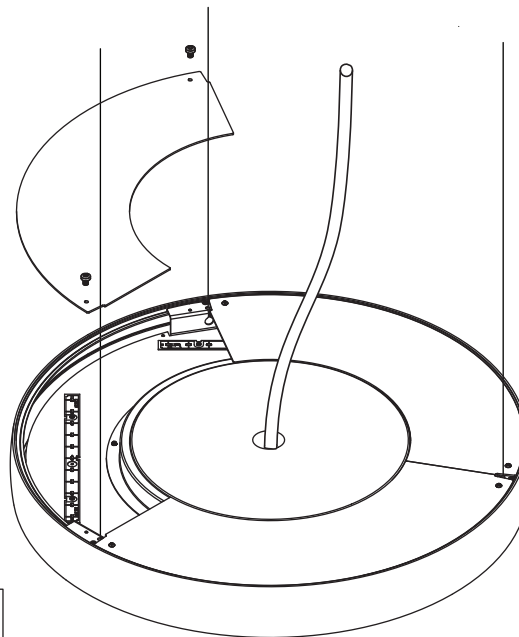
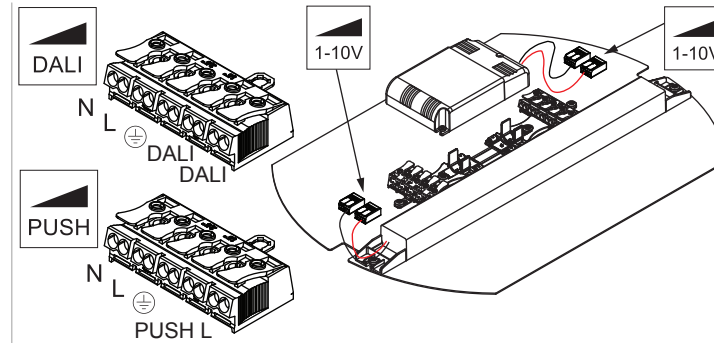
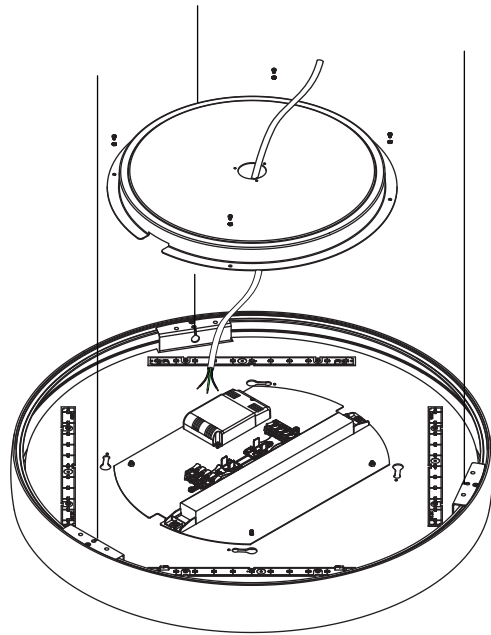


Flat moon suspension 650 up/down LED

133018XX_133019XX_133020XX_133021XX_133022XX_133023XX



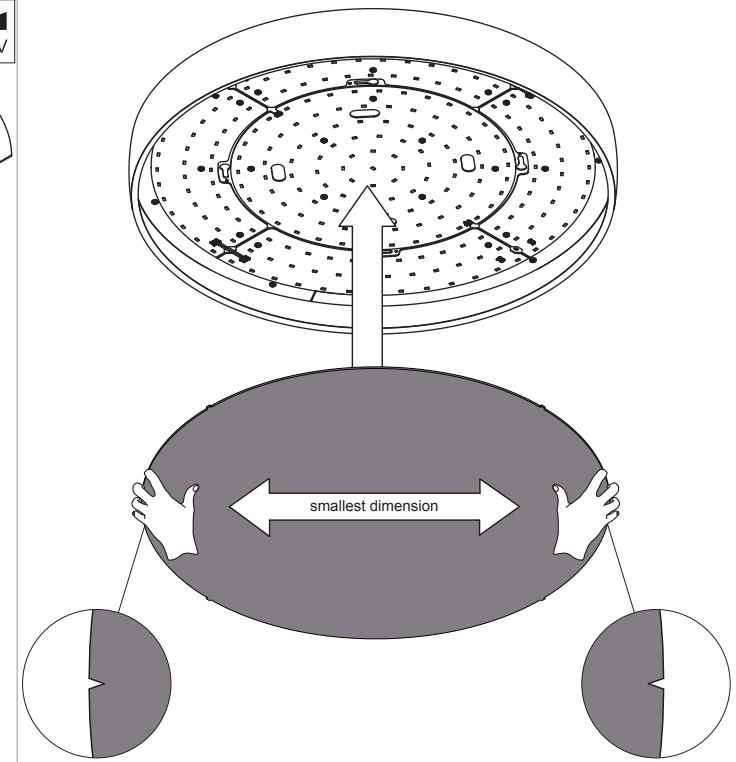
SUSPENSION HOLES (3 cables)



Replace protective shield when broken. The luminaire shall only be used complete with its protective shield. Reference number: down = 1012135 / up = 1012248



The light source contained in this luminaire shall only be replaced by the manufacturer or his service agent or a similar qualified person



Be careful not to damage the LEDs when inserting the diffuser.

