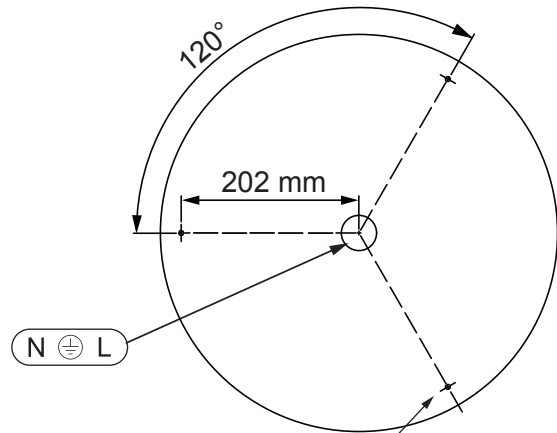
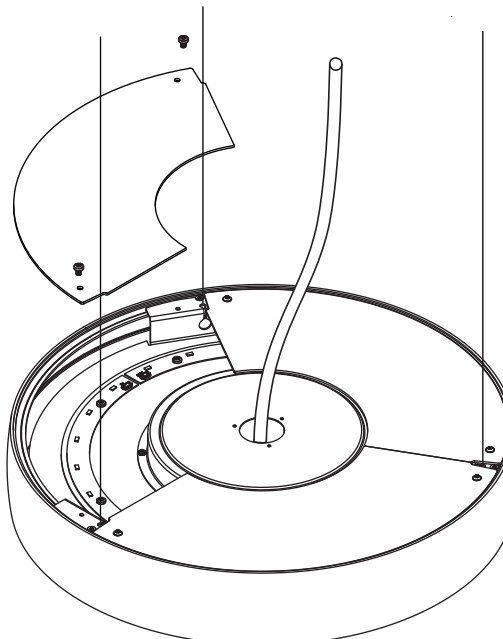
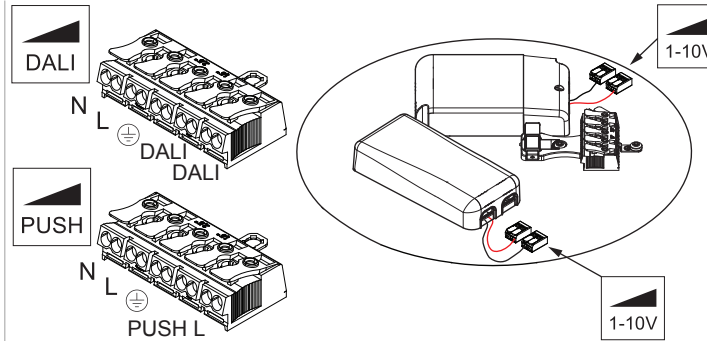
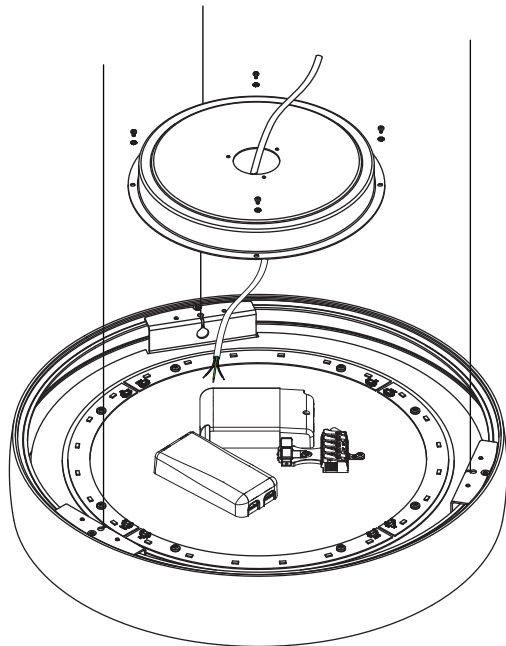


# Flat moon suspension 450 up down LED

133006XX\_133007XX\_133008XX\_133009XX\_133010XX\_133011XX



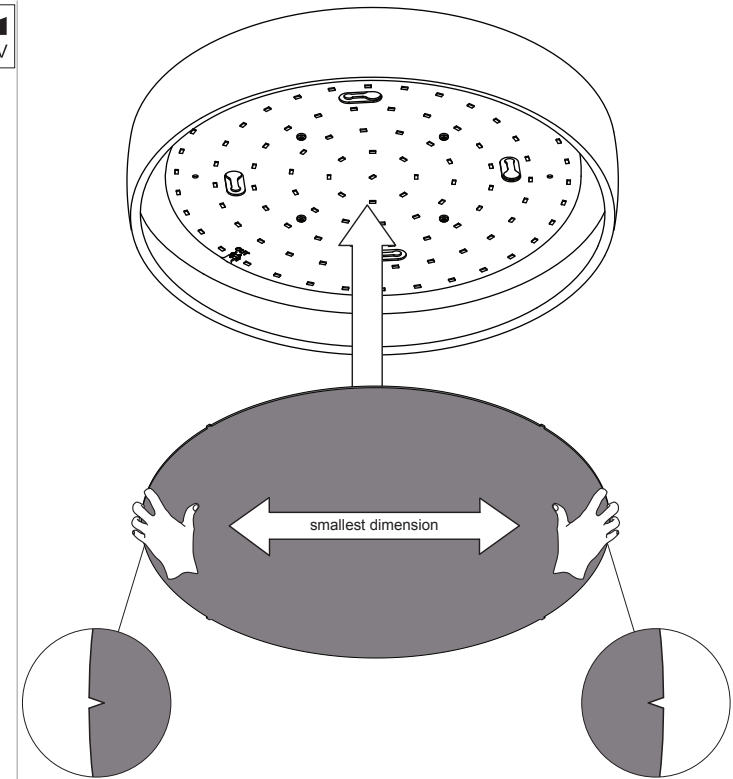
SUSPENSION HOLES (3 cables)



Replace protective shield when broken. The luminaire shall only be used complete with its protective shield. Reference number: down = 1012134 / up = 1012247



The light source contained in this luminaire shall only be replaced by the manufacturer or his service agent or a similar qualified person



Be careful not to damage the LEDs when inserting the diffuser.

