

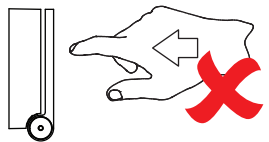
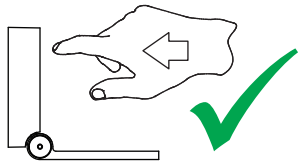
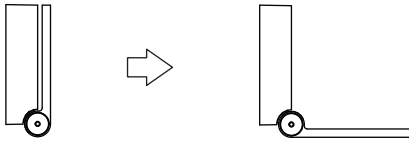
# Wollet OLED 3K GI

132500XX



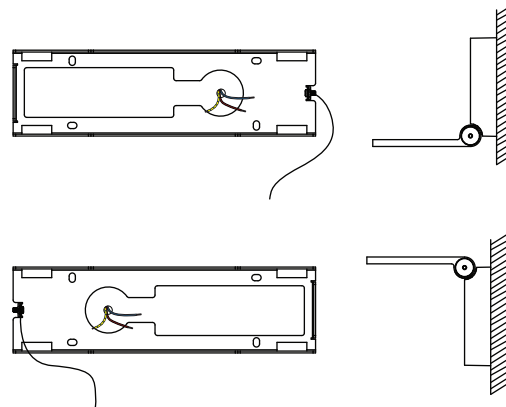
**DO NOT TOUCH OLED DURING INSTALLATION !**  
**ONLY USE FORCE ON PART THAT IS NOT DIRECTLY CONNECTED TO OLED !**

ROTATE HINGE TO 90° OPEN POSITION

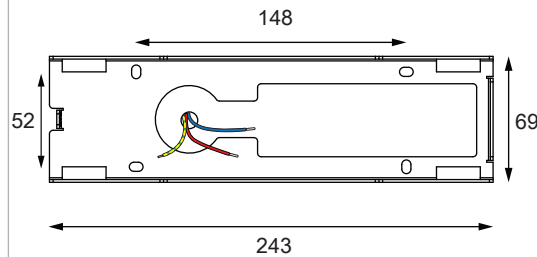


WALLPLATE ORIENTATION ALSO DEFINES  
 FIXTURE ORIENTATION !

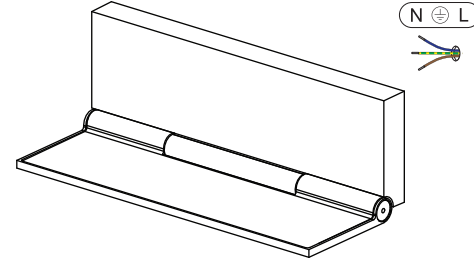
MOUNT WALLPLATE ACCORDING TO  
 PREFERRED FIXTURE POSITION:



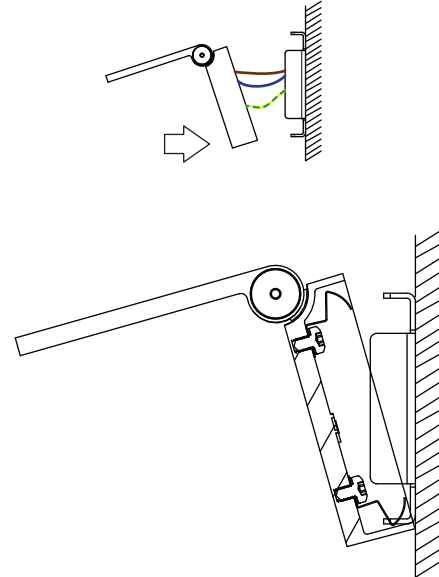
MOUNT FIXATION PLATE ON THE SURFACE  
 BY USING SCREWS (NOT INCLUDED)



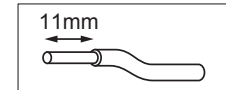
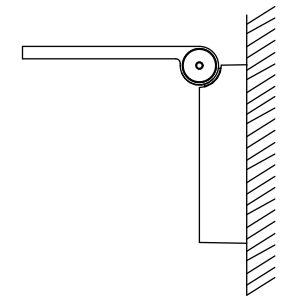
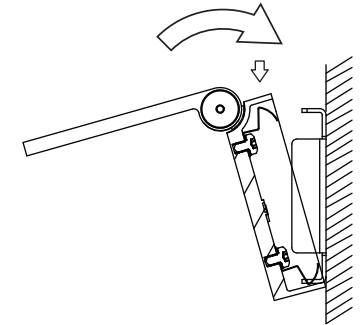
CONNECT PRIMARY WIRES  
 (CONNECTORS INCLUDED)



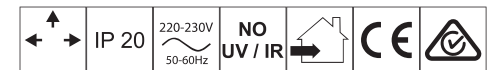
TILT FIXTURE SLIGHTLY AND PUSH BOTTOM SIDE  
 OVER THE SPRINGS UNTIL 'CLICKS'



ROTATE FIXTURE PARALLEL TO THE SURFACE  
 AND PUSH OTHER SIDE OVER THE SPRINGS  
 WHILE PRESSING SLIGHTLY DOWNWARDS



The light source contained in this luminaire shall only be replaced by the manufacturer or his service agent or a similar qualified person



V0 - 27/06/2016