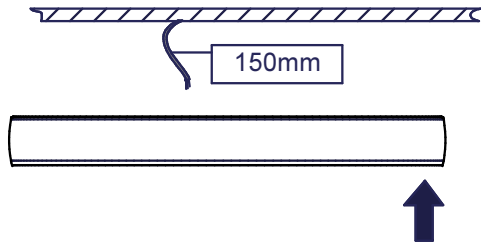


Flat moon down LED Ø 980

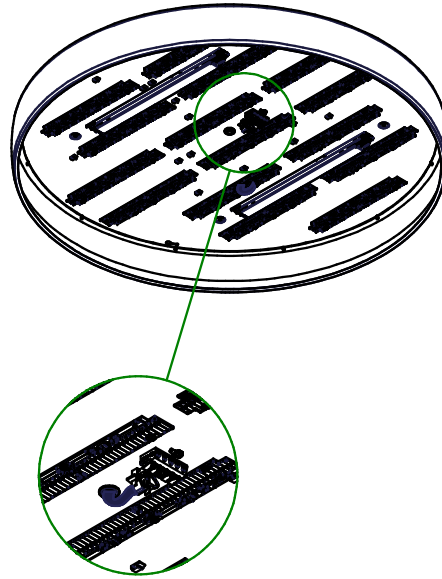
1285X4XX

Lamptype : LED

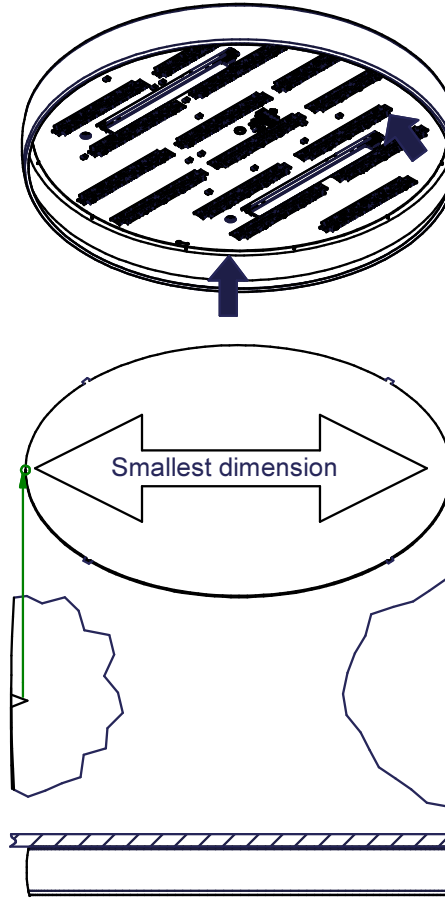
1



2



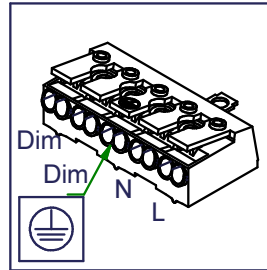
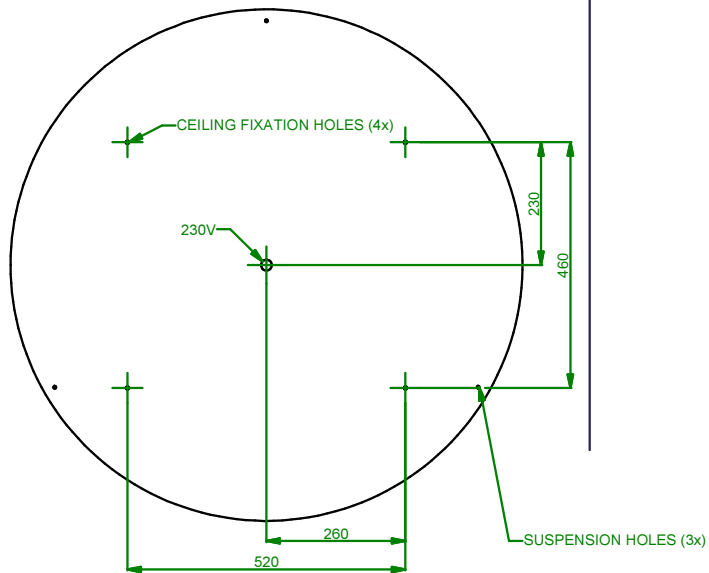
3



4



CARDBOARD TEMPLATE



	128504XX
	128554XX
	128564XX

Replace protective shield when broken
The luminaire shall only be used complete with its protective shield (reference number 1000493)

CAN BE USED WITH

Susp kit non dimmable

11061809 Suspension kit 4m 3x0,75 (3 cables) - WhStr
11061832 Suspension kit 4m 3x0,75 (3 cables) BlStr

11062209 Susp kit 2 4m 3x0,75 3tri cables WhStr
11062232 Susp kit 2 4m 3x0,75 3tri cables BlStr

Susp kit dimmable

11061909 Suspension kit 4m 5x0,75 (3cables) Whstr
11061932 Suspension kit 4m 5x0,75 (3cables) Blstr

11062309 Susp kit 2 4m 5x0,75 3tri cables WhStr
11062332 Susp kit 2 4m 5x0,75 3tri cables BlStr

Coverplate

12859709 FlatMoon LED cover plate 980 WhStr
12859732 FlatMoon LED cover plate 980 BlStr

230V / 50-60Hz
 NO UV / IR
 CE
 0.5m

 elec.