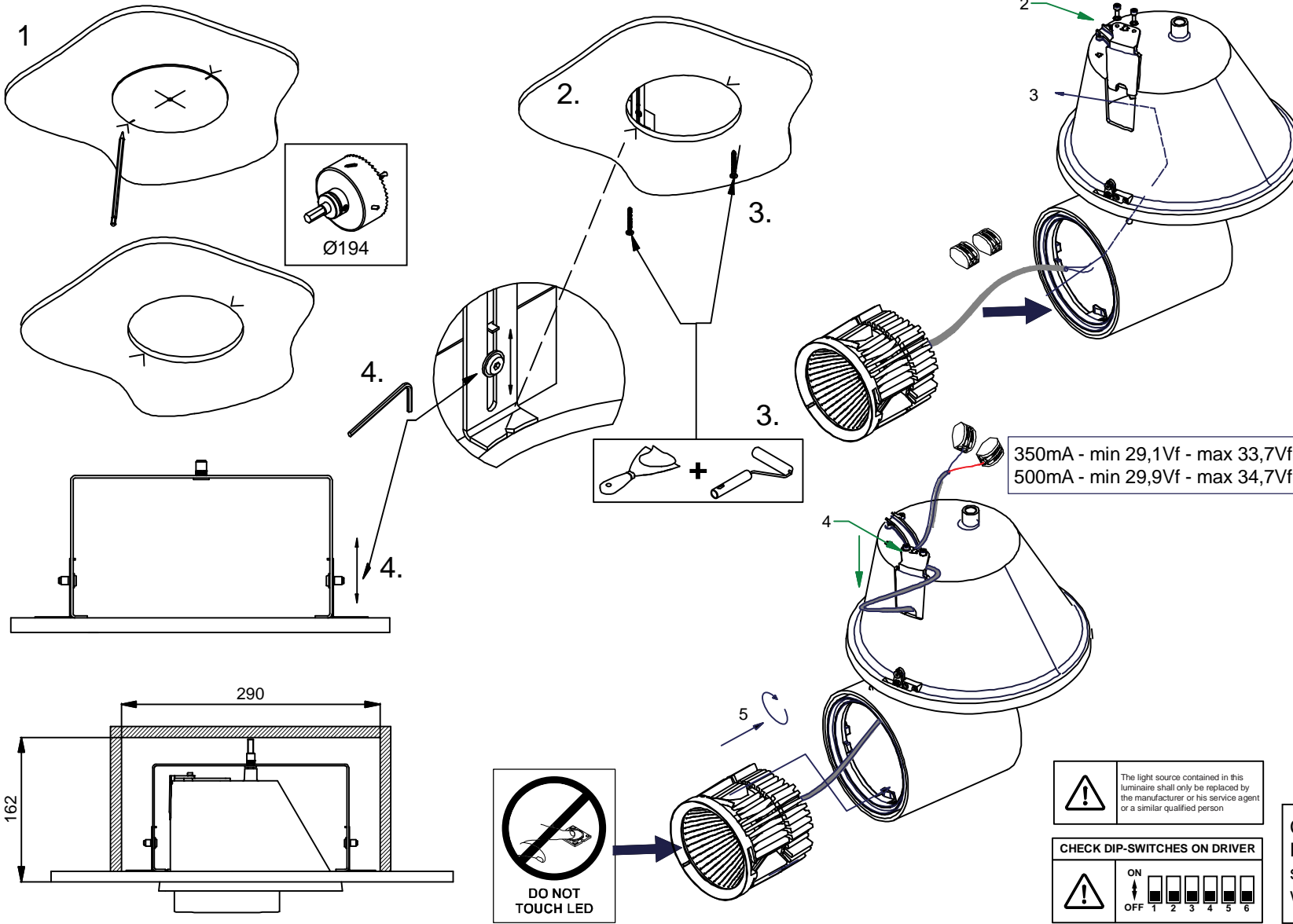
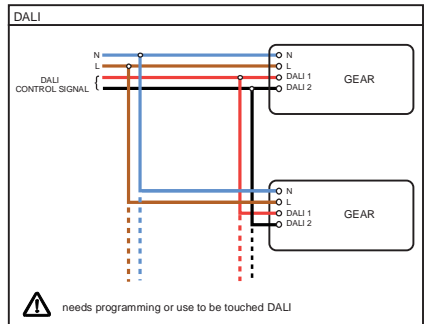
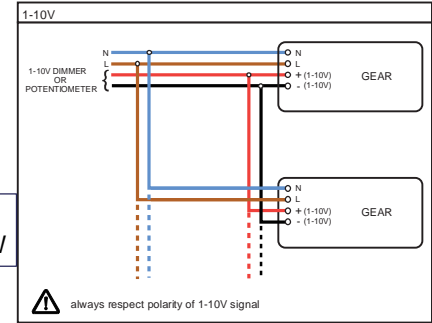
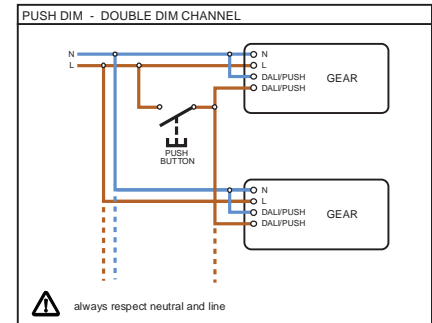


# Chapeau 1xLED GE

119001XX\_119004XX



## Dimming diagrams for LED



**CAN BE USED WITH**  
Drivers:  
see driver matrix - latest version on website  
[www.supermodular.com](http://www.supermodular.com) or check sales contact

