

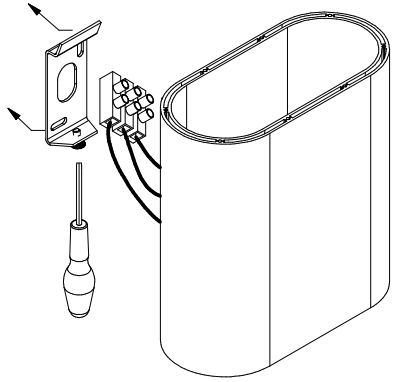
Duell Wall

110706XX

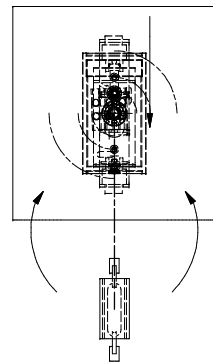
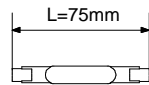
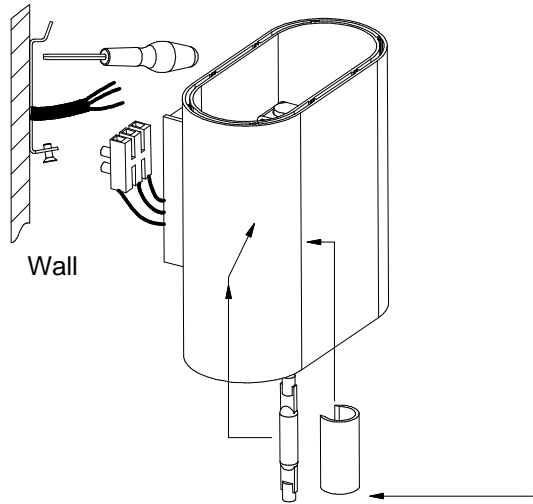
Lamp type : 1x QT-DE max. 150W

Fitting : R7s

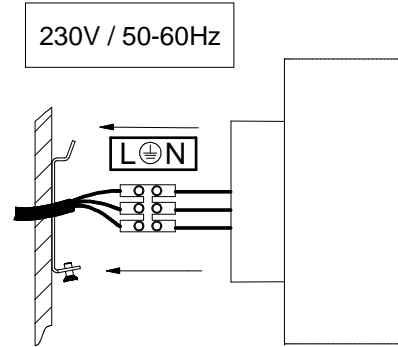
1



2



3



If protective shield is broken, please replace with art.1003904

4

