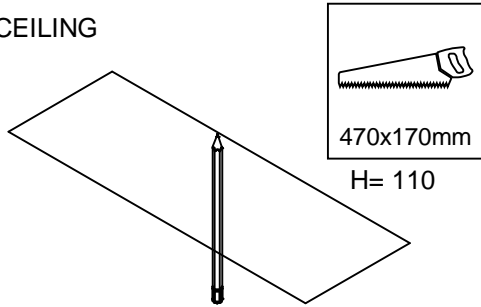


Multiple for 3x LED GE

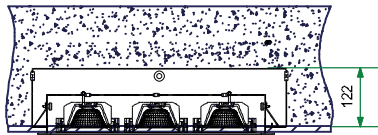
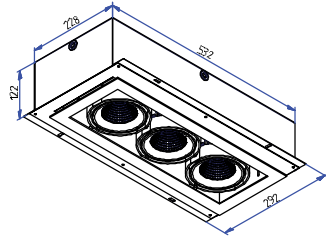
131702XX

1 CEILING

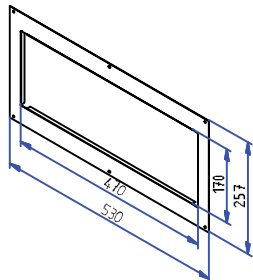


470x170mm
H= 110

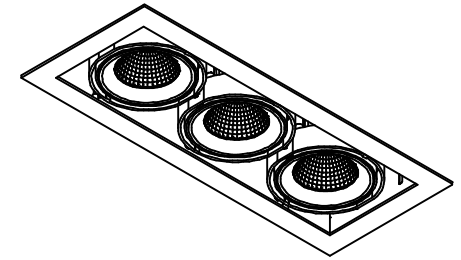
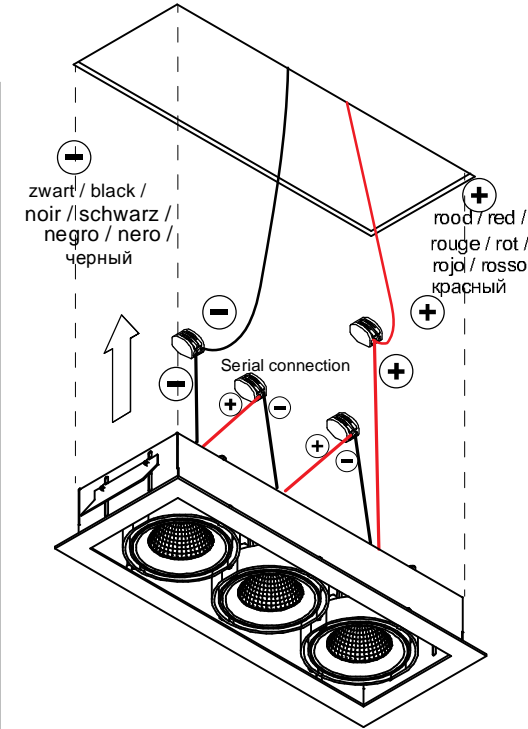
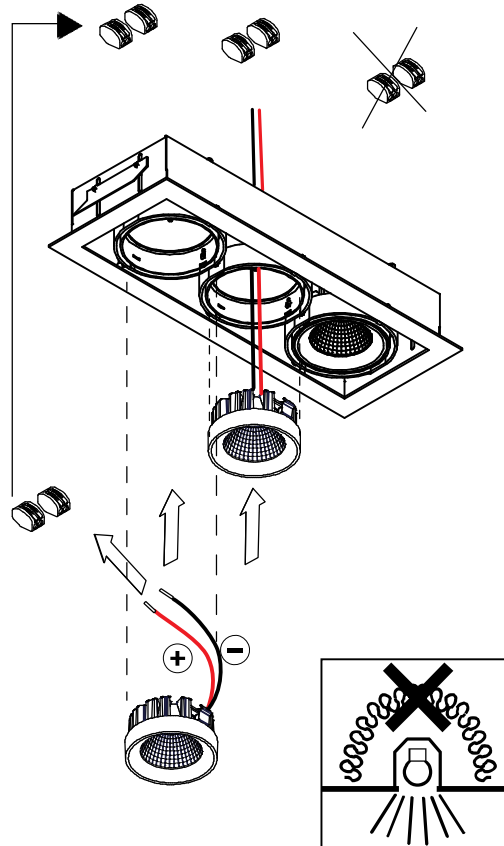
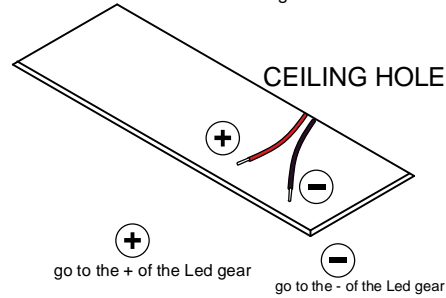
Conbox has to combined with gypkit !!!
10390330+10410330



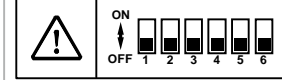
Gypkit :10410330 Multiple 3Lx gypkit



Don't connect the gear to 230V before the LEDs are connected to the gear!



CHECK DIP-SWITCHES ON DRIVER



Max:500mA

The light source contained in this luminaire shall only be replaced by the manufacturer or his service-agent or a similar qualified person

MUST BE USED WITH

- 11298202 M LED MOD 111 2,7KF BL
- 11298224 M LED MOD 111 2,7KF BRUSHALU
- 11298209 M LED MOD 111 2,7KF WHSTR
- 11298102 M LED MOD 111 2,7KM BL
- 11298124 M LED MOD 111 2,7KM BRUSHALU
- 11298109 M LED MOD 111 2,7KM WHSTR
- 11298002 M LED MOD 111 2,7KS BL
- 11298024 M LED MOD 111 2,7KS BRUSHALU
- 11298009 M LED MOD 111 2,7KS WHSTR
- 11298502 M LED MOD 111 3KF BL
- 11298524 M LED MOD 111 3KF BRUSHALU
- 11298509 M LED MOD 111 3KF WHSTR
- 11298402 M LED MOD 111 3KM BL
- 11298424 M LED MOD 111 3KM BRUSHALU
- 11298409 M LED MOD 111 3KM WHSTR
- 11298302 M LED MOD 111 3KS BL
- 11298324 M LED MOD 111 3KS BRUSHALU
- 11298309 M LED MOD 111 3KS WHSTR
- 11298902 M LED MOD 111 4KF BL
- 11298924 M LED MOD 111 4KF BRUSHALU
- 11298909 M LED MOD 111 4KF WHSTR
- 11298702 M LED MOD 111 4KM BL
- 11298724 M LED MOD 111 4KM BRUSHALU
- 11298709 M LED MOD 111 4KM WHSTR
- 11298602 M LED MOD 111 4KS BL
- 11298624 M LED MOD 111 4KS BRUSHALU
- 11298609 M LED MOD 111 4KS WHSTR

CAN BE USED WITH

Drivers:
see driver matrix - latest version on website
www.supermodular.com or check sales contact

