

Flia

Design Alessandro Zambelli



Type: Floor outdoor

Lamps: LED module 2,5W 3000K CRI 90 195 lm
LED module 5W 3000K CRI 90 (2 stems)
LED module 7,5W 3000K CRI 90 (3 stems)
available with:
on/off LED remote driver ⁽¹⁾
dimmable push/DALI remote driver ⁽²⁾
175 lm

Product use: Outdoor

Materials: Stem: carbon fiber
Head: aluminium
Base: stainless steel
Picket: zinc plated steel

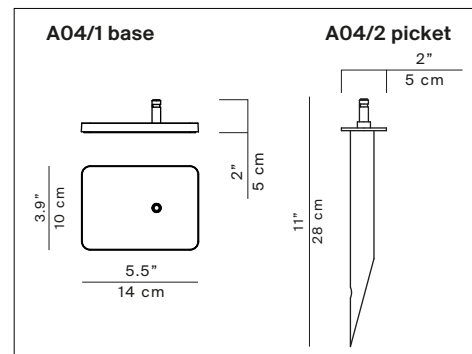
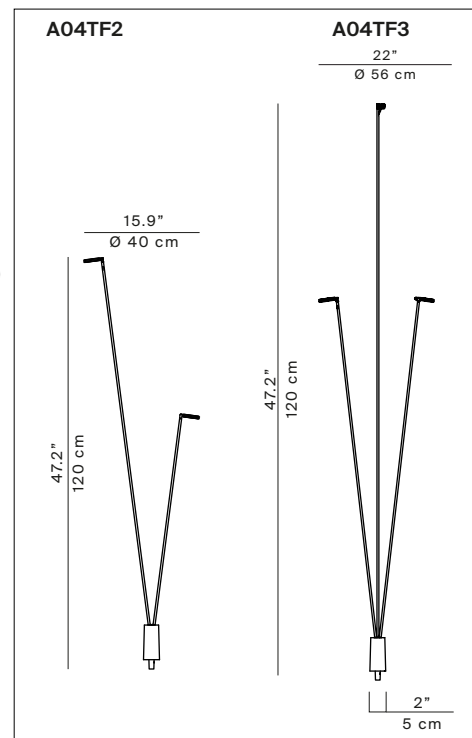
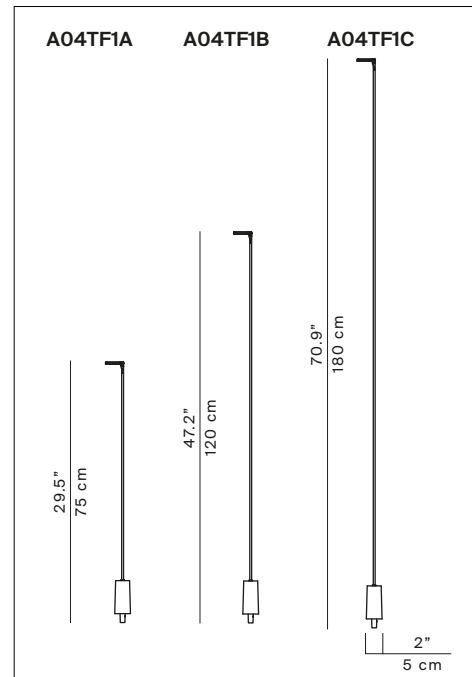
Colors: Matt black

Description: The Flia family of outdoor floor lamps stands out for its ability to combine technological aspects with rigorous expressive forms. The miniaturization of the light source – a key factor of the project – is possible thanks to the use of LED technologies. The carbon stem is supported by a cylinder that contains the core elements and grants the lamp strength, lightness and flexibility.



Reference code:

single structure (remote driver not included)		
A04TF1A	1A040TF1A001	h 75 cm
A04TF1B	1A040TF1B001	h 120 cm
A04TF1C	1A040TF1C001	h 180 cm
multiple structure (remote driver not included)		
A04TF2	1A040TF20001	(h 75 + 120 cm)
A04TF3	1A040TF30001	((2x h 120 + 1x h 180 cm)
base		
A04/1	1A040/010001	
picket		
A04/2	1A040/020001	
remote drivers ⁽¹⁾		
(the junction box is recommended watertight IP68)		
A04/3	1A040/030000	driver on/off
A04/4	1A040/040000	driver push/DALI



Flia

Design Alessandro Zambelli



**LUCE
PLAN**

Type: Complete floor lamp portable, rechargeable

Lamps: LED module 2,5W 2700K CRI 90 175 lm
5V dc USB-C
dimmer on board

Product use: Outdoor/indoor

Materials: Stem: carbon fiber
Head: aluminium
Base: aluminium

Colors: Matt black

Description: The Flia family of outdoor floor lamps stands out for its ability to combine technological aspects with rigorous expressive forms. The miniaturization of the light source – a key factor of the project – is possible thanks to the use of LED technologies. The carbon stem is supported by a cylinder that contains the core elements and grants the lamp strength, lightness and flexibility.

   **IP65 IK03**

Reference code: A04TP1B 1A040TP1B001 h 120 cm
A04TP1C 1A040TP1C001 h 180 cm

