

# Cassette

Design Daniel Rybakken, 2020



- Type: Ceiling / wall
- Lamps: LED 2700K or 3000K CRI 90
- Product use: Indoor
- Materials: Aluminium structure, reflector in technopolymer
- Colors: Matt white
- Description: A lamp for direct light featuring a large, uniform and glareproof luminous surface. The luminous motor is the result of an optical "packet" driven by the use of edge-lit LED technology. The body is composed of an extruded aluminium frame and a sheet (passe-partout) equipped with a central circular cut that emits light into the surrounding space.

Insulation class:

Reference code:	<b>A03W44</b>	1A030AW44002	matt white	890 lm
	<b>A03W66</b>	1A030AW66002	matt white	2.140 lm
	<b>A03H66</b>	1A030AH66002	matt white	2.140 lm
	<b>A03W99</b>	1A030AW99002	matt white	3.000 lm

Power supplies Kit

**A03/1** 1A030/010000 phase cut  
compatible with A03W44/A03W66/A03H66/A03W99

**A03/2** 1A030/020000 push dim/DALI  
compatible with A03W44

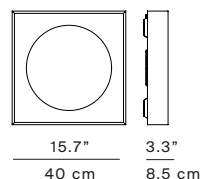
**A03/3** 1A030/030000 push dim/DALI  
compatible with A03W66/A03H66/A03W99

Power consumption: structure + power supply

	+		=	
A03W44		A03/1		23W
A03W44		A03/2		28W
A03W66		A03/1		41W
A03W66		A03/3		38W
A03H66		A03/1		59W
A03H66		A03/3		56W
A03W99		A03/1		58W
A03W99		A03/3		53W

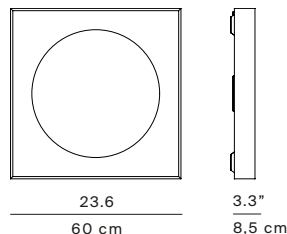


A03W44



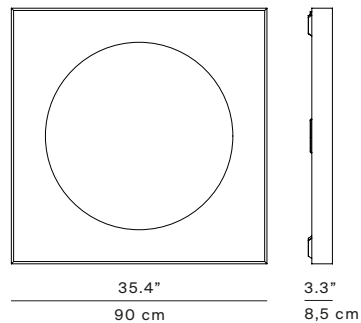
weight: 3,7 Kg

A03W66 - A03H66



weight: 7,3 Kg

A03W99



weight: 13,7 Kg

