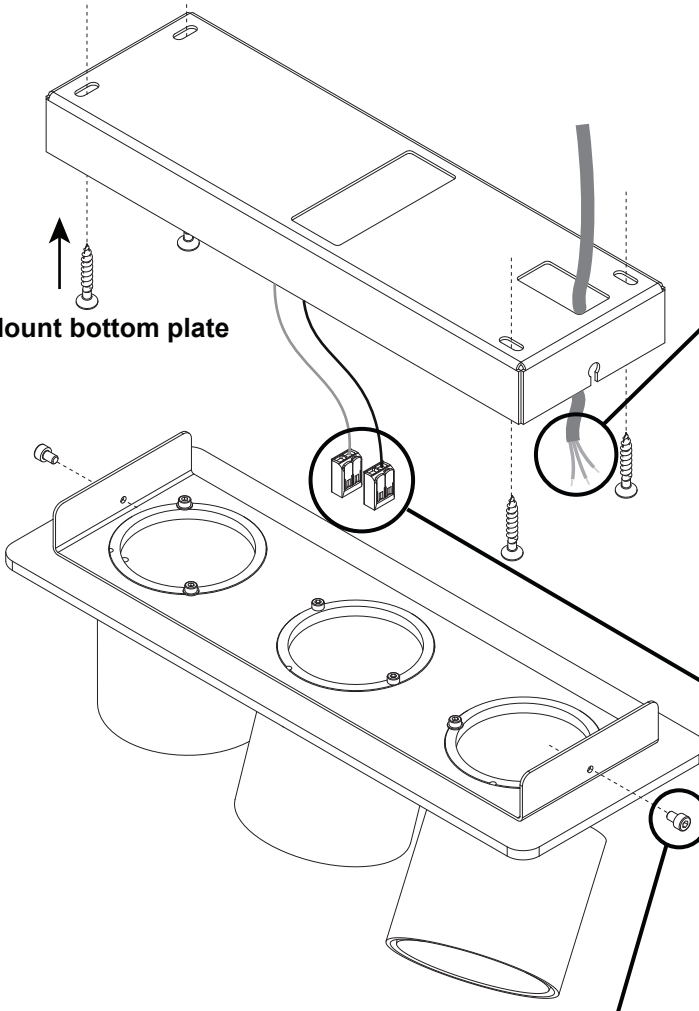


- Instructions:**
1. Pull the power cable through the bottom plate
Fix the bottom plate to the ceiling using screws
 2. Connect power cable to terminal block. Correct wiring instructions can be found on the bottom of page
 - 3a. For the non dimmable or mains dimmable variant of Titan multi each driver needs to be connected separately to each LED. The driver RED wire (+) needs to be connected to the LED RED wire and the driver BLACK wire (-) to the LED BLACK wire.
Please make sure that each LED is connected to the wiring of only one single driver.
 - 3b. For the DALI, Push, and 1-10V dimmable variant of Titan multi, LEDs are pre-connected in series. The RED wire (+) of the first LED needs to be connected to RED wire of the driver and the BLACK wire (-) of the last LED needs to be connected to the BLACK wire of the driver.
 - 4a. To fix the luminaire to the bottom plate first loosen screw(s) on the sides, then slide luminaire with slots over the screws on the sides of the bottom plate.
 - 4b. Tighten the screws to fix the luminaire to the bottom plate.

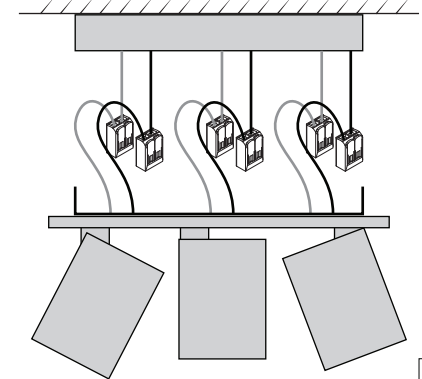
1. Mount bottom plate



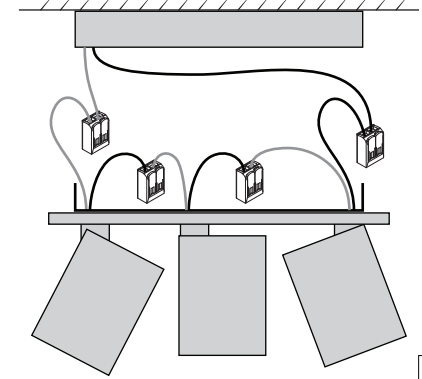
2. Connect power supply

See bottom of page for correct connection

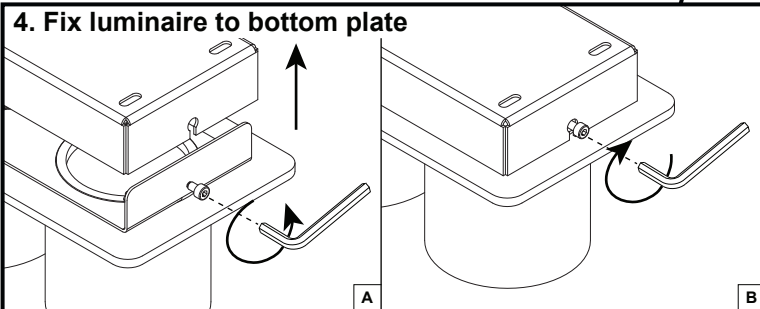
3A. LED connection non dimmable / mains dimmable



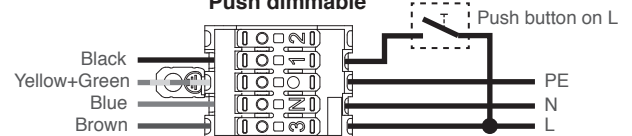
3B. LED connection 1-10V / Push / DALI dimmable



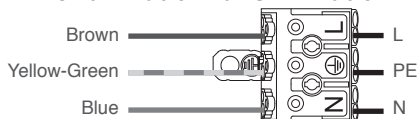
4. Fix luminaire to bottom plate



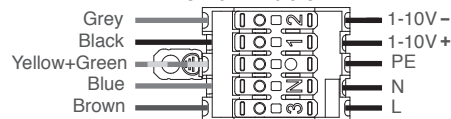
Push dimmable



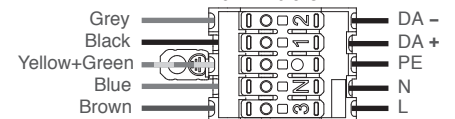
Non dimmable / Mains Dimmable



1-10V dimmable



DALI dimmable



⚠ Attention!!

Always follow the instructions described in this document and store this document for future reference.

Do not touch LED surface. Warranty void if LED contact has taken place.
Only to be installed by a qualified electrician.

Always make sure power is completely switched off when working on luminaire.

Doxis Lighting Factory NV cannot be held responsible for any damage caused by incorrect installation, modification, repairation or incorrect application/usage of the product.