

FLOS

USB SQUARE 2L W-W

Lamps description	2 x QR-CBC-5I GU5.3 Max 50W
Voltage (V)	12
Environment	Indoor

OPTICAL

Aiming	Fixed
Light distribution symmetry	Asymmetric

ELECTRICAL

Transformer availability	Separate item
Transformer mounting	Remote
Transformer type	Electronic
Emergency	Without
Insulation class	Class III

PHYSICAL

Weight (kg)	3
-------------	---

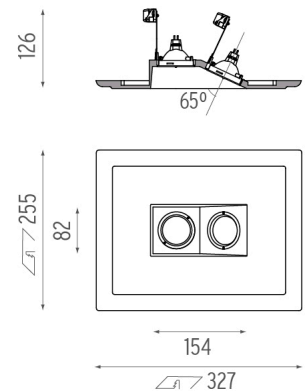


USB Square 2L W-W

designed by FLOS Soft Architecture

Recessed luminaire for 12V halogen lamp. 220/240V, 50/60Hz. Adjustable by means of "leading and trailing edge". Remote transformer not included.

SA.3023.I Raw



CERTIFICATIONS



USB Square 2L W-W . Accessories

Transformer



60.8139

Electronic transformer 20/105W

Electronic transformer 12V.
220/240V, 50/60Hz.
Adjustable by means of
"leading and trailing edge".

USB Square 2L W-W . Lamps



QR-CBC-51 50W GU5.3

Lamp Watt:

50 W

Lamp category:

Halogen low voltage

Socket:

GU5.3

Lamp type:

QR-CBC-51

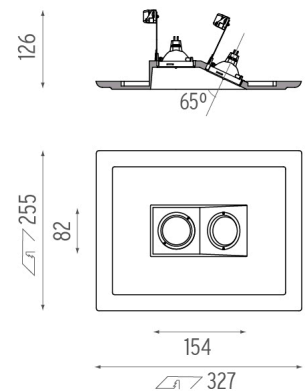


USB Square 2L W-W

designed by FLOS Soft Architecture

Recessed luminaire for 12V halogen lamp. 220/240V, 50/60Hz. Adjustable by means of "leading and trailing edge". Remote transformer not included.

SA.3023.I Raw



CERTIFICATIONS

