

# FLOS

## USB ROUND 2L

<b>Lamps description</b>	2 x QR-CBC-5I GU5.3 Max 50W
<b>Voltage (V)</b>	12
<b>Environment</b>	Indoor

### OPTICAL

<b>Aiming</b>	Fixed
<b>Light distribution symmetry</b>	Direct

### ELECTRICAL

<b>Transformer availability</b>	Separate item
<b>Transformer mounting</b>	Remote
<b>Transformer type</b>	Electronic
<b>Emergency</b>	Without
<b>Insulation class</b>	Class III

### PHYSICAL

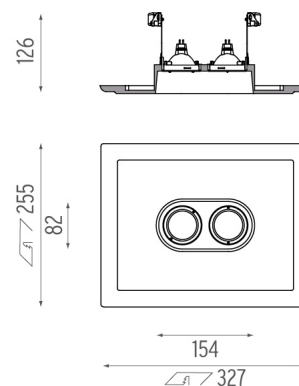
<b>Weight (kg)</b>	3
--------------------	---



### USB Round 2L designed by FLOS Soft Architecture

Recessed luminaire for 12V halogen lamp. 220/240V, 50/60Hz. Adjustable by means of "leading and trailing edge". Remote transformer not included.

● SA.3018.I Raw



### CERTIFICATIONS



## USB Round 2L . Accessories

### Transformer



60.8139

#### Electronic transformer 20/105W

Electronic transformer 12V.  
220/240V, 50/60Hz.  
Adjustable by means of  
"leading and trailing edge".

### Optical



08.8270.00

#### Anti-Glare

Anti-Glare. 40° cut off  
accessory ring.

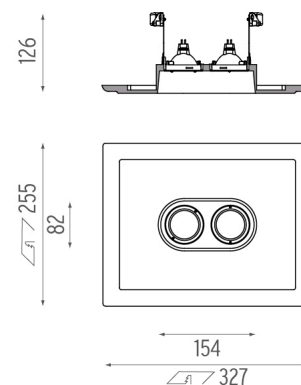


### USB Round 2L

designed by FLOS Soft Architecture

Recessed luminaire for 12V halogen  
lamp. 220/240V, 50/60Hz. Adjustable  
by means of "leading and trailing  
edge". Remote transformer not  
included.

SA.3018.I Raw



### CERTIFICATIONS



## USB Round 2L . Lamps



### QR-CBC-51 50W GU5.3

**Lamp Watt:**  
50 W

**Lamp category:**  
Halogen low voltage

**Socket:**  
GU5.3

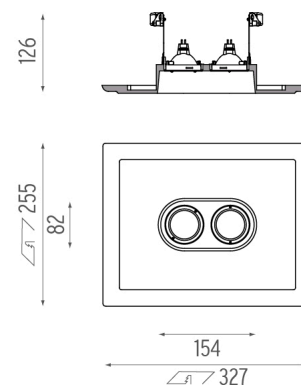
**Lamp type:**  
QR-CBC-51



### USB Round 2L designed by FLOS Soft Architecture

Recessed luminaire for 12V halogen lamp. 220/240V, 50/60Hz. Adjustable by means of "leading and trailing edge". Remote transformer not included.

● SA.3018.1 Raw



### CERTIFICATIONS

