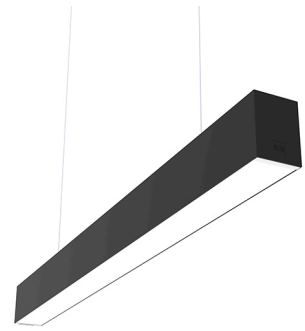


IN-FINITY 70 SUSPENSION DOWN 4000K MICRO-PRISMATIC DIFFUSER

Number of heads	1
Mounting	Pendant
Lamps description	Top LED 23,1W/m 3091 lm/m 4000K CRI 80
Luminaire luminous flux	See reference number
Voltage (V)	220/240
Environment	Indoor
Notes	Micro-Prismatic Diffuser: Highly efficient multilayer diffuser that, thanks to its unique micro-prismatic texture, provides a glare free UGR<19 light beam. / Emergency: Emergency Module available in all versions, length 1400 mm. In normal use, it uses the same power consumption as the standard In-Finity. In emergency use, it emits 10% of normal use during 3 hours. Endcaps: must be ordered separately. Consult Flos Architectural team for a configuration without end caps.



In-Finity 70 Suspension Down 4000K Micro-Prismatic Diffuser
designed by FLOS Architectural

OPTICAL

Aiming	Fixed
Light distribution symmetry	Symmetric
Beam angle	72°

LED modular system for suspended installation, including LED luminaires, aluminum installation profile, and diffusers. Drivers included in lighting modules for 220-240V connection to mains or to other lighting modules. Suspension kit not included.

ELECTRICAL

Transformer availability	Included
Transformer mounting	Integral
Transformer type	Electronic
Emergency	Without
Insulation class	Class I

- N70D054U30B 565mm - 818lm White
- N70D054U02B 565mm - 818lm Anodized Grey
- N70D054U14B 565mm - 818lm Black
- N70D084U30B 845mm - 1227lm White
- N70D084U02B 845mm - 1227lm Anodized Grey
- N70D084U14B 845mm - 1227lm Black
- N70D114U30B 1125mm - 1636lm White
- N70D114U02B 1125mm - 1636lm Anodized Grey
- N70D114U14B 1125mm - 1636lm Black
- N70D144U30B 1405mm - 2045lm White
- N70D144U02B 1405mm - 2045lm Anodized Grey
- N70D144U14B 1405mm - 2045lm Black
- N70D164U30B 1690mm - 2454lm White
- N70D164U02B 1690mm - 2454lm Anodized Grey
- N70D164U14B 1690mm - 2454lm Black
- N70D194U30B 1970mm - 2862lm White
- N70D194U02B 1970mm - 2862lm Anodized Grey
- N70D194U14B 1970mm - 2862lm Black
- N70D254U30B 2530mm - 3680lm White
- N70D254U02B 2530mm - 3680lm Anodized Grey
- N70D254U14B 2530mm - 3680lm Black
- N70D304U30B 3095mm - 4498lm White
- N70D304U02B 3095mm - 4498lm Anodized Grey
- N70D304U14B 3095mm - 4498lm Black
- N70DFC4U30B Flat Corner - 1636lm White
- N70DFC4U02B Flat Corner - 1636lm Anodized Grey
- N70DFC4U14B Flat Corner - 1636lm Black
- N70DEM4U30B Emergency - 2045lm White
- N70DEM4U02B Emergency - 2045lm Anodized Grey
- N70DEM4U14B Emergency - 2045lm Black

PHYSICAL

Construction material	Aluminium
------------------------------	-----------



In-Finity 70 Suspension Down 4000K Micro-Prismatic Diffuser . Accessories

Structural



- 08.9052.40
- 08.9052.02
- 08.9052.NS
- 08.9052.06

Metal cover. Surface / Suspension Down. 70 mm

Metal cover for the different profiles. 2 unit kit.

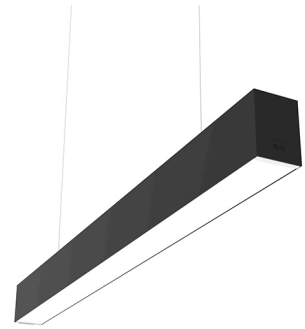
Mounting



- 08.0030

Suspension kit

One unit Suspension kit (L = 4 m).
Maximum distance between the suspension cables: 2 m.



In-Finity 70 Suspension Down 4000K Micro-Prismatic Diffuser designed by FLOS Architectural

LED modular system for suspended installation, including LED luminaires, aluminum installation profile, and diffusers. Drivers included in lighting modules for 220-240V connection to mains or to other lighting modules. Suspension kit not included.

- N70D054U30B 565mm - 818lm White
- N70D054U02B 565mm - 818lm Anodized Grey
- N70D054U14B 565mm - 818lm Black
- N70D084U30B 845mm - 1227lm White
- N70D084U02B 845mm - 1227lm Anodized Grey
- N70D084U14B 845mm - 1227lm Black
- N70D114U30B 1125mm - 1636lm White
- N70D114U02B 1125mm - 1636lm Anodized Grey
- N70D114U14B 1125mm - 1636lm Black
- N70D144U30B 1405mm - 2045lm White
- N70D144U02B 1405mm - 2045lm Anodized Grey
- N70D144U14B 1405mm - 2045lm Black
- N70D164U30B 1690mm - 2454lm White
- N70D164U02B 1690mm - 2454lm Anodized Grey
- N70D164U14B 1690mm - 2454lm Black
- N70D194U30B 1970mm - 2862lm White
- N70D194U02B 1970mm - 2862lm Anodized Grey
- N70D194U14B 1970mm - 2862lm Black
- N70D254U30B 2530mm - 3680lm White
- N70D254U02B 2530mm - 3680lm Anodized Grey
- N70D254U14B 2530mm - 3680lm Black
- N70D304U30B 3095mm - 4498lm White
- N70D304U02B 3095mm - 4498lm Anodized Grey
- N70D304U14B 3095mm - 4498lm Black
- N70DFC4U30B Flat Corner - 1636lm White
- N70DFC4U02B Flat Corner - 1636lm Anodized Grey
- N70DFC4U14B Flat Corner - 1636lm Black
- N70DEM4U30B Emergency - 2045lm White
- N70DEM4U02B Emergency - 2045lm Anodized Grey
- N70DEM4U14B Emergency - 2045lm Black

In-Finity 70 Suspension Down 4000K Micro-Prismatic Diffuser . Accessories

Electrical



08.0031.00

Power supply rose

Power supply rose for the hanging installation of the In-finity. The standard version comes with a three-pole cable for basic switching. The Dali version comes with a five-pole cable that can be used for double switching, independent from the direct and indirect lighting in the standard Up&Down version. Includes a 4 m suspension cable

In-Finity 70 Suspension Down 4000K Micro-Prismatic Diffuser . Lamps



Top LED

Lamp category:

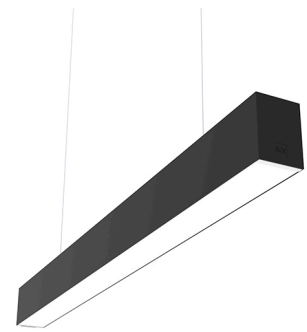
LED

Socket:

Special base

Lamp type:

Top LED



In-Finity 70 Suspension Down 4000K Micro-Prismatic Diffuser designed by FLOS Architectural

LED modular system for suspended installation, including LED luminaires, aluminum installation profile, and diffusers. Drivers included in lighting modules for 220-240V connection to mains or to other lighting modules. Suspension kit not included.

- N70D054U30B 565mm - 818lm White
- N70D054U02B 565mm - 818lm Anodized Grey
- N70D054U14B 565mm - 818lm Black
- N70D084U30B 845mm - 1227lm White
- N70D084U02B 845mm - 1227lm Anodized Grey
- N70D084U14B 845mm - 1227lm Black
- N70D114U30B 1125mm - 1636lm White
- N70D114U02B 1125mm - 1636lm Anodized Grey
- N70D114U14B 1125mm - 1636lm Black
- N70D144U30B 1405mm - 2045lm White
- N70D144U02B 1405mm - 2045lm Anodized Grey
- N70D144U14B 1405mm - 2045lm Black
- N70D164U30B 1690mm - 2454lm White
- N70D164U02B 1690mm - 2454lm Anodized Grey
- N70D164U14B 1690mm - 2454lm Black
- N70D194U30B 1970mm - 2862lm White
- N70D194U02B 1970mm - 2862lm Anodized Grey
- N70D194U14B 1970mm - 2862lm Black
- N70D254U30B 2530mm - 3680lm White
- N70D254U02B 2530mm - 3680lm Anodized Grey
- N70D254U14B 2530mm - 3680lm Black
- N70D304U30B 3095mm - 4498lm White
- N70D304U02B 3095mm - 4498lm Anodized Grey
- N70D304U14B 3095mm - 4498lm Black
- N70DFC4U30B Flat Corner - 1636lm White
- N70DFC4U02B Flat Corner - 1636lm Anodized Grey
- N70DFC4U14B Flat Corner - 1636lm Black
- N70DEM4U30B Emergency - 2045lm White
- N70DEM4U02B Emergency - 2045lm Anodized Grey
- N70DEM4U14B Emergency - 2045lm Black