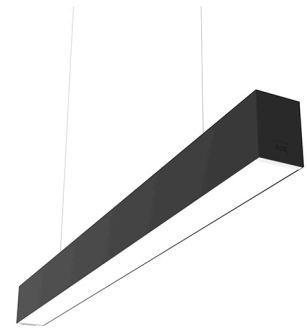


IN-FINITY 70 SUSPENSION DOWN 3000K MICRO-PRISMATIC DIFFUSER

Number of heads	1
Mounting	Pendant
Lamps description	Top LED 23,1W/m 2877 lm/m 3000K CRI 80
Luminaire luminous flux	See reference number
Voltage (V)	220/240
Environment	Indoor
Notes	Micro-Prismatic Diffuser: Highly efficient multilayer diffuser that, thanks to its unique micro-prismatic texture, provides a glare free UGR<19 light beam. / Emergency: Emergency Module available in all versions, length 1400 mm. In normal use, it uses the same power consumption as the standard In-Finity. In emergency use, it emits 10% of normal use during 3 hours. Endcaps: must be ordered separately. Consult Flos Architectural team for a configuration without end caps.



In-Finity 70 Suspension Down 3000K Micro-Prismatic Diffuser
designed by FLOS Architectural

OPTICAL

Aiming	Fixed
Light distribution symmetry	Symmetric
Beam angle	72°

LED modular system for suspended installation, including LED luminaires, aluminum installation profile, and diffusers. Drivers included in lighting modules for 220-240V connection to mains or to other lighting modules. Suspension kit not included.

ELECTRICAL

Transformer availability	Included
Transformer mounting	Integral
Transformer type	Electronic
Emergency	Without
Insulation class	Class I

- N70D053U30B 565mm - 755lm White
- N70D053U02B 565mm - 755lm Anodized Grey
- N70D053U14B 565mm - 755lm Black
- N70D083U30B 845mm - 1133lm White
- N70D083U02B 845mm - 1133lm Anodized Grey
- N70D083U14B 845mm - 1133lm Black
- N70D113U30B 1125mm - 1511lm White
- N70D113U02B 1125mm - 1511lm Anodized Grey
- N70D113U14B 1125mm - 1511lm Black
- N70D143U30B 1405mm - 1888lm White
- N70D143U02B 1405mm - 1888lm Anodized Grey
- N70D143U14B 1405mm - 1888lm Black
- N70D163U30B 1690mm - 2266lm White
- N70D163U02B 1690mm - 2266lm Anodized Grey
- N70D163U14B 1690mm - 2266lm Black
- N70D193U30B 1970mm - 2644lm White
- N70D193U02B 1970mm - 2644lm Anodized Grey
- N70D193U14B 1970mm - 2644lm Black
- N70D253U30B 2530mm - 3399lm White
- N70D253U02B 2530mm - 3399lm Anodized Grey
- N70D253U14B 2530mm - 3399lm Black
- N70D303U30B 3095mm - 4154lm White
- N70D303U02B 3095mm - 4154lm Anodized Grey
- N70D303U14B 3095mm - 4154lm Black
- N70DFC3U30B Flat Corner - 1511lm White
- N70DFC3U02B Flat Corner - 1511lm Anodized Grey
- N70DFC3U14B Flat Corner - 1511lm Black
- N70DEM3U30B Emergency - 1888lm White
- N70DEM3U02B Emergency - 1888lm Anodized Grey
- N70DEM3U14B Emergency - 1888lm Black

PHYSICAL

Construction material	Aluminium
------------------------------	-----------



In-Finity 70 Suspension Down 3000K Micro-Prismatic Diffuser . Accessories

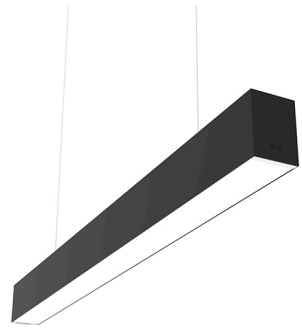
Structural



- 08.9052.40
- 08.9052.02
- 08.9052.NS
- 08.9052.06

Metal cover. Surface / Suspension Down. 70 mm

Metal cover for the different profiles. 2 unit kit.



In-Finity 70 Suspension Down 3000K Micro-Prismatic Diffuser designed by FLOS Architectural

LED modular system for suspended installation, including LED luminaires, aluminum installation profile, and diffusers. Drivers included in lighting modules for 220-240V connection to mains or to other lighting modules. Suspension kit not included.

- N70D053U30B 565mm - 755lm White
- N70D053U02B 565mm - 755lm Anodized Grey
- N70D053U14B 565mm - 755lm Black
- N70D083U30B 845mm - 1133lm White
- N70D083U02B 845mm - 1133lm Anodized Grey
- N70D083U14B 845mm - 1133lm Black
- N70D113U30B 1125mm - 1511lm White
- N70D113U02B 1125mm - 1511lm Anodized Grey
- N70D113U14B 1125mm - 1511lm Black
- N70D143U30B 1405mm - 1888lm White
- N70D143U02B 1405mm - 1888lm Anodized Grey
- N70D143U14B 1405mm - 1888lm Black
- N70D163U30B 1690mm - 2266lm White
- N70D163U02B 1690mm - 2266lm Anodized Grey
- N70D163U14B 1690mm - 2266lm Black
- N70D193U30B 1970mm - 2644lm White
- N70D193U02B 1970mm - 2644lm Anodized Grey
- N70D193U14B 1970mm - 2644lm Black
- N70D253U30B 2530mm - 3399lm White
- N70D253U02B 2530mm - 3399lm Anodized Grey
- N70D253U14B 2530mm - 3399lm Black
- N70D303U30B 3095mm - 4154lm White
- N70D303U02B 3095mm - 4154lm Anodized Grey
- N70D303U14B 3095mm - 4154lm Black
- N70DFC3U30B Flat Corner - 1511lm White
- N70DFC3U02B Flat Corner - 1511lm Anodized Grey
- N70DFC3U14B Flat Corner - 1511lm Black
- N70DEM3U30B Emergency - 1888lm White
- N70DEM3U02B Emergency - 1888lm Anodized Grey
- N70DEM3U14B Emergency - 1888lm Black

Mounting



- 08.0030

Suspension kit

One unit Suspension kit (L = 4 m).
Maximum distance between the suspension cables: 2 m.

In-Finity 70 Suspension Down 3000K Micro-Prismatic Diffuser . Accessories

Electrical



08.0031.00

Power supply rose

Power supply rose for the hanging installation of the In-finity. The standard version comes with a three-pole cable for basic switching. The Dali version comes with a five-pole cable that can be used for double switching, independent from the direct and indirect lighting in the standard Up&Down version. Includes a 4 m suspension cable

In-Finity 70 Suspension Down 3000K Micro-Prismatic Diffuser . Lamps



Top LED

Lamp category:

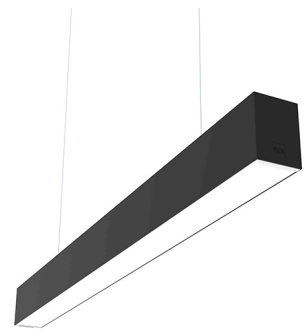
LED

Socket:

Special base

Lamp type:

Top LED



In-Finity 70 Suspension Down 3000K Micro-Prismatic Diffuser designed by FLOS Architectural

LED modular system for suspended installation, including LED luminaires, aluminum installation profile, and diffusers. Drivers included in lighting modules for 220-240V connection to mains or to other lighting modules. Suspension kit not included.

- N70D053U30B 565mm - 755lm White
- N70D053U02B 565mm - 755lm Anodized Grey
- N70D053U14B 565mm - 755lm Black
- N70D083U30B 845mm - 1133lm White
- N70D083U02B 845mm - 1133lm Anodized Grey
- N70D083U14B 845mm - 1133lm Black
- N70D113U30B 1125mm - 1511lm White
- N70D113U02B 1125mm - 1511lm Anodized Grey
- N70D113U14B 1125mm - 1511lm Black
- N70D143U30B 1405mm - 1888lm White
- N70D143U02B 1405mm - 1888lm Anodized Grey
- N70D143U14B 1405mm - 1888lm Black
- N70D163U30B 1690mm - 2266lm White
- N70D163U02B 1690mm - 2266lm Anodized Grey
- N70D163U14B 1690mm - 2266lm Black
- N70D193U30B 1970mm - 2644lm White
- N70D193U02B 1970mm - 2644lm Anodized Grey
- N70D193U14B 1970mm - 2644lm Black
- N70D253U30B 2530mm - 3399lm White
- N70D253U02B 2530mm - 3399lm Anodized Grey
- N70D253U14B 2530mm - 3399lm Black
- N70D303U30B 3095mm - 4154lm White
- N70D303U02B 3095mm - 4154lm Anodized Grey
- N70D303U14B 3095mm - 4154lm Black
- N70DFC3U30B Flat Corner - 1511lm White
- N70DFC3U02B Flat Corner - 1511lm Anodized Grey
- N70DFC3U14B Flat Corner - 1511lm Black
- N70DEM3U30B Emergency - 1888lm White
- N70DEM3U02B Emergency - 1888lm Anodized Grey
- N70DEM3U14B Emergency - 1888lm Black