

LIGHTLIGHT® PEND/CEILING-SHOP-V 100|B15

Number of heads	1
Mounting	LightLight® Pend/Ceiling
Lamps description	QR-C 38 clear/frosted B15d 20/35W or LED QR-C 38 B15d 6W 370 lm 2700K CRI 90
Voltage (V)	12
Environment	Indoor

OPTICAL

Light controller description	Bare lamps
Aiming	Directional
Light distribution symmetry	Symmetric
Beam angle	38°

ELECTRICAL

Transformer availability	Separate item
Transformer mounting	Remote
Emergency	Without
Insulation class	Class III

PHYSICAL


Length of rod (mm)	1000
Height (mm)	82
Spot diameter (mm)	25
Construction material	Aluminium
Weight (kg)	0,06



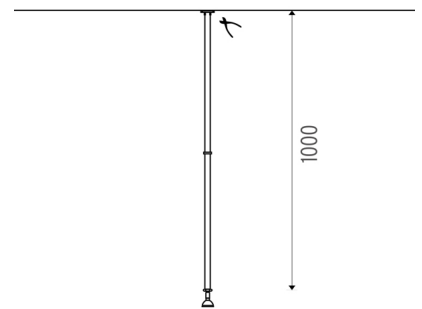
LightLight® Pend/Ceiling-Shop-V 100|B15

designed by Hans Buschfeld

Table and counter luminaire to be installed on 12V pending or ceiling track system. Track adapter integrated.

 BU35500P

Polished aluminium



CERTIFICATIONS



LightLight® Pend/Ceiling-Shop-V 100|B15 . Lamps



BU30 Frosted

QR-C 38

Lamp Watt:
20 W

Lamp category:
Halogen low voltage

Socket:
B15d

Lamp angle:
32 °

Color temperature (K):
3000 °K

Catalog reference:
BU30 Frosted

Lamp type:
QR-C 38



BU10 Frosted

QR-C 38

Lamp Watt:
35 W

Lamp category:
Halogen low voltage

Socket:
B15d

Lamp angle:
40 °

Color temperature (K):
3000 °K

Catalog reference:
BU10 Frosted

Lamp type:
QR-C 38



BU95

LED QR-C 38

Lamp Watt:
6 W

Lamp category:
Halogen low voltage

Socket:
B15d

Lamp angle:
42 °

Color temperature (K):
2700 °K

Catalog reference:
BU95

Lamp type:
LED QR-C 38



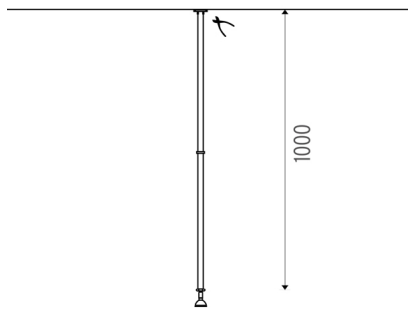
LightLight® Pend/Ceiling-Shop-V 100|B15

designed by Hans Buschfeld

Table and counter luminaire to be installed on 12V pending or ceiling track system. Track adapter integrated.

BU35500P

Polished aluminium



CERTIFICATIONS

