

LIGHTLIGHT® MONO-SHOP MONO|DISC 70 SURFACE

Number of heads	1
Mounting	LightLight® Mono
Lamps description	QR-70 BA15d 20/50W
Voltage (V)	12
Environment	Indoor

OPTICAL

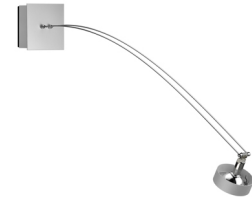
Light controller description	Bare lamps
Aiming	Directional
Light distribution symmetry	Symmetric
Beam angle	24°, 8°

ELECTRICAL

Transformer availability	Included
Transformer mounting	Integral
Emergency	Without
Insulation class	Class II

PHYSICAL





Length of rod (mm)	700
Height (mm)	25
Spot diameter (mm)	74
Construction material	Aluminium
Weight (kg)	0,38

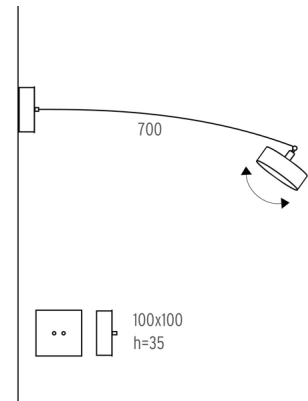


LightLight® Mono-Shop Mono|Disc 70 Surface

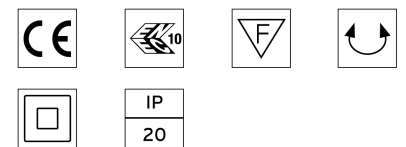
designed by Hans Buschfeld

Luminaire to be installed on wall or ceiling. Transformer included.

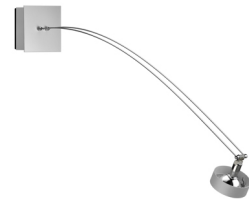
	BU26205W	White
	BU26205A	Anodised aluminium
	BU26205B	Black
	BU26205P	Polished aluminium



CERTIFICATIONS



LightLight® Mono-Shop Mono|Disc 70 Surface . Lamps



60.6369

QR-70

Lamp Watt:

20 W

Lamp category:

Halogen low voltage

Socket:

BA15d

Lamp angle:

24 °

Color temperature (K):

3000 °K

Catalog reference:

60.6369

Lamp type:

QR-70

60.6370

QR-70

Lamp Watt:

50 W

Lamp category:

Halogen low voltage

Socket:

BA15d

Lamp angle:

8 °

Color temperature (K):

3000 °K

Catalog reference:

60.6370

Lamp type:

QR-70

60.6371

QR-70

Lamp Watt:

50 W

Lamp category:

Halogen low voltage

Socket:

BA15d

Lamp angle:

24 °

Color temperature (K):

3000 °K

Catalog reference:

60.6371





Lamp type:

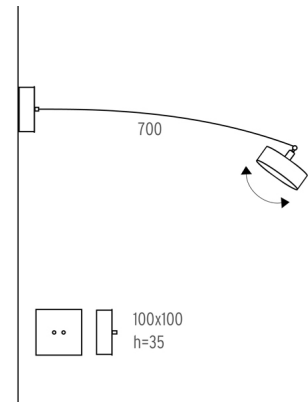
QR-70

LightLight® Mono-Shop Mono|Disc 70 Surface

designed by Hans Buschfeld

Luminaire to be installed on wall or ceiling. Transformer included.

	BU26205W	White
	BU26205A	Anodised aluminium
	BU26205B	Black
	BU26205P	Polished aluminium



CERTIFICATIONS

