

LIGHTLIGHT® MONO-SHOP MONO|DISC 70 RECESSED

Number of heads	1
Mounting	LightLight® Mono
Lamps description	QR-70 BA15d 20/50W
Voltage (V)	12
Environment	Indoor

OPTICAL

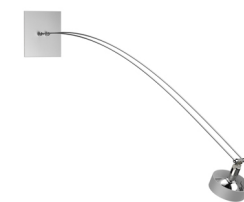
Light controller description	Bare lamps
Aiming	Directional
Light distribution symmetry	Symmetric
Beam angle	24°, 8°

ELECTRICAL

Transformer availability	Separate item
Transformer mounting	Remote
Emergency	Without
Insulation class	Class III

PHYSICAL

Length of rod (mm)	700
Height (mm)	25
Spot diameter (mm)	74
Construction material	Aluminium
Weight (kg)	0,13

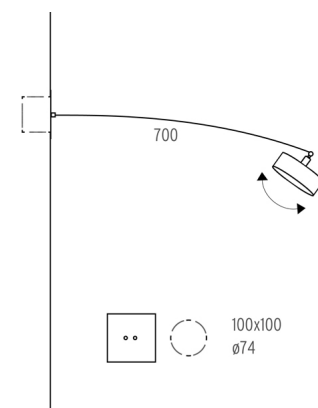


LightLight® Mono-Shop Mono|Disc 70 Recessed

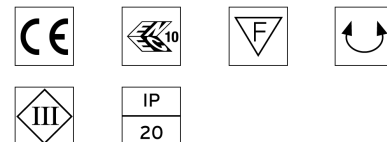
designed by Hans Buschfeld

Luminaire to be installed on ceiling/wall. Transformer not included.

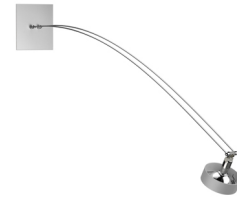
	BU25205W	White
	BU25205A	Anodised aluminium
	BU25205B	Black
	BU25205P	Polished aluminium



CERTIFICATIONS



LightLight® Mono-Shop Mono|Disc 70 Recessed . Lamps



60.6369

QR-70

Lamp Watt:
20 W

Lamp category:
Halogen low voltage

Socket:
BA15d

Lamp angle:
24 °

Color temperature (K):
3000 °K

Catalog reference:
60.6369

Lamp type:
QR-70

60.6370

QR-70

Lamp Watt:
50 W

Lamp category:
Halogen low voltage

Socket:
BA15d

Lamp angle:
8 °

Color temperature (K):
3000 °K

Catalog reference:
60.6370

Lamp type:
QR-70

60.6371

QR-70

Lamp Watt:
50 W

Lamp category:
Halogen low voltage

Socket:
BA15d

Lamp angle:
24 °

Color temperature (K):
3000 °K

Catalog reference:
60.6371

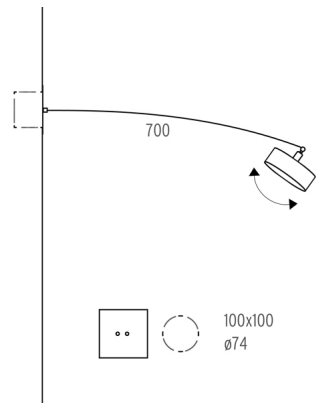
Lamp type:
QR-70

LightLight® Mono-Shop Mono|Disc 70 Recessed

designed by Hans Buschfeld

Luminaire to be installed on ceiling/wall. Transformer not included.

● BU25205W	White
● BU25205A	Anodised aluminium
● BU25205B	Black
● BU25205P	Polished aluminium



CERTIFICATIONS

