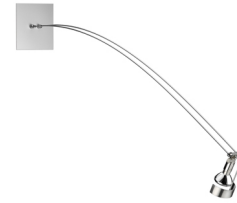


LIGHTLIGHT® MONO-SHOP MONO|HALB RECESSED

Number of heads	1
Mounting	LightLight® Mono
Lamps description	QR-C 38 clear/frosted B15d 20/35W or LED QR-C 38 B15d 6W 370 lm 2700K CRI 90
Voltage (V)	12
Environment	Indoor



OPTICAL

Light controller description	Bare lamps
Aiming	Directional
Light distribution symmetry	Symmetric
Beam angle	38°




LightLight® Mono-Shop Mono|Halb Recessed

designed by Hans Buschfeld

Luminaire to be installed on ceiling/wall. Transformer not included.

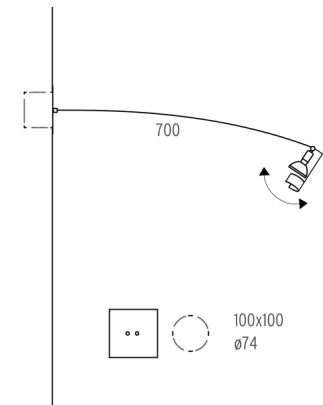
ELECTRICAL

Transformer availability	Separate item
Transformer mounting	Remote
Emergency	Without
Insulation class	Class III

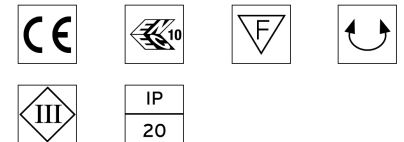
	BU25201A	Anodised aluminium
	BU25201B	Black
	BU25201P	Polished aluminium
	BU25201W	White

PHYSICAL

Length of rod (mm)	700
Height (mm)	82
Spot diameter (mm)	25
Construction material	Aluminium
Weight (kg)	0,12



CERTIFICATIONS



LightLight® Mono-Shop Mono|Halb Recessed . Lamps



BU30 Frosted

QR-C 38

Lamp Watt:
20 W

Lamp category:
Halogen low voltage

Socket:
B15d

Lamp angle:
32 °

Color temperature (K):
3000 °K

Catalog reference:
BU30 Frosted

Lamp type:
QR-C 38



BU10 Frosted

QR-C 38

Lamp Watt:
35 W

Lamp category:
Halogen low voltage

Socket:
B15d

Lamp angle:
40 °

Color temperature (K):
3000 °K

Catalog reference:
BU10 Frosted

Lamp type:
QR-C 38



BU95

LED QR-C 38

Lamp Watt:
6 W

Lamp category:
Halogen low voltage

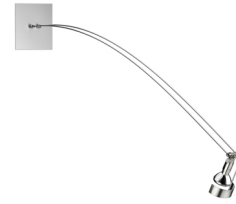
Socket:
B15d

Lamp angle:
42 °

Color temperature (K):
2700 °K

Catalog reference:
BU95

Lamp type:
LED QR-C 38

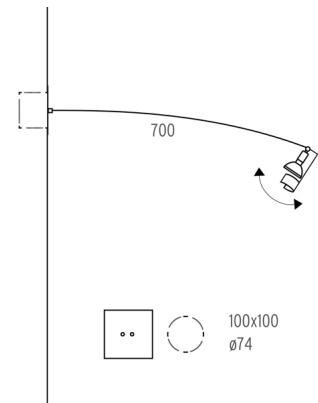


LightLight® Mono-Shop Mono|Halb Recessed

designed by Hans Buschfeld

Luminaire to be installed on ceiling/
wall. Transformer not included.

	BU25201A	Anodised aluminium
	BU25201B	Black
	BU25201P	Polished aluminium
	BU25201W	White



CERTIFICATIONS

