

## LIGHTLIGHT® WALL-POSTER|HALB

<b>Number of heads</b>	1
<b>Mounting</b>	LightLight® Wall
<b>Lamps description</b>	QR-C 38 clear/frosted B15d 20/35W or LED QR-C 38 B15d 6W 370 lm 2700K CRI 90
<b>Voltage (V)</b>	12
<b>Environment</b>	Indoor

### OPTICAL

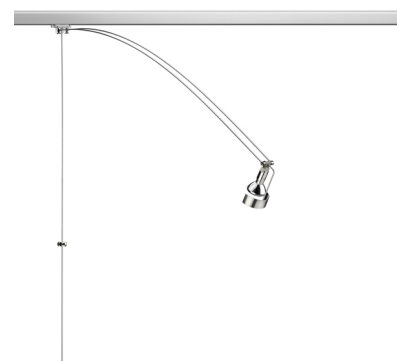
<b>Light controller description</b>	Bare lamps
<b>Aiming</b>	Directional
<b>Light distribution symmetry</b>	Symmetric
<b>Beam angle</b>	38°

### ELECTRICAL

<b>Transformer availability</b>	Separate item
<b>Transformer mounting</b>	Remote
<b>Emergency</b>	Without
<b>Insulation class</b>	Class III

### PHYSICAL

<b>Length of rod (mm)</b>	2300-2700
<b>Height (mm)</b>	82
<b>Spot diameter (mm)</b>	25
<b>Construction material</b>	Aluminium
<b>Weight (kg)</b>	0,09

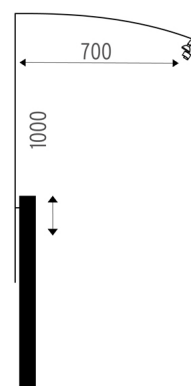


**LightLight® Wall-Poster|Halb**  
designed by Hans Buschfeld

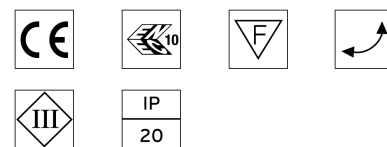
Picture luminaire to be installed on 12V wall track system. Track adapter and picture-hanging rod integrated.

● BUI2001P

Polished aluminium



### CERTIFICATIONS



## LightLight® Wall-Poster|Halb . Lamps



BU30 Frosted

**QR-C 38**

**Lamp Watt:**  
20 W

**Lamp category:**  
Halogen low voltage

**Socket:**  
B15d

**Lamp angle:**  
32 °

**Color temperature (K):**  
3000 °K

**Catalog reference:**  
BU30 Frosted

**Lamp type:**  
QR-C 38



BU10 Frosted

**QR-C 38**

**Lamp Watt:**  
35 W

**Lamp category:**  
Halogen low voltage

**Socket:**  
B15d

**Lamp angle:**  
40 °

**Color temperature (K):**  
3000 °K

**Catalog reference:**  
BU10 Frosted

**Lamp type:**  
QR-C 38



BU95

**LED QR-C 38**

**Lamp Watt:**  
6 W

**Lamp category:**  
Halogen low voltage

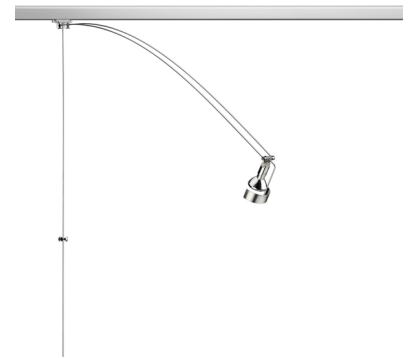
**Socket:**  
B15d

**Lamp angle:**  
42 °

**Color temperature (K):**  
2700 °K

**Catalog reference:**  
BU95

**Lamp type:**  
LED QR-C 38

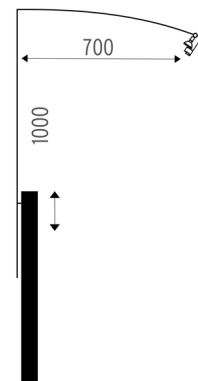


**LightLight® Wall-Poster|Halb**  
designed by Hans Buschfeld

Picture luminaire to be installed on 12V wall track system. Track adapter and picture-hanging rod integrated.

BU12001P

Polished aluminium



### CERTIFICATIONS

