

SUPERARCHIMOOON OUTDOOR

Mounting	Floor
Lamps description	1 x 205W E27 HSGS or 1 LED 21W E27 2450lm 3000K
Environment	Outdoor
Finish	Green wall, Panama
Technical description	Floor lamp for outdoor use providing direct and diffused light. External diffuser obtained from braided colored PVC tubes, internal frame in polyester-painted phospho-chromated aluminum tubular internal frame. Internal diffuser in injection-molded opal polycarbonate. The structural parts of the luminaire (base support, diffusers support, arms, brackets, levers and tie rods) have been treated with a galvanizing process for enhanced weather resistance. The body is painted in grey. Springs and main mechanical components are also made with special materials for good weather resistance. The luminaire has no ON/OFF switch or luminous flux adjustment, but has a 10 mt transparent bipolar feeding cord. The luminaire also is equipped with a junction box suitable for outdoor applications. We recommend using a connection system with a degree of protection greater than or equal to the degree of protection of the luminaire.

ELECTRICAL

Emergency	Without
Voltage (V)	220/240

PHYSICAL

Construction material	Aluminium, special materials for good weather resistance, Polycarbonate, PVC, Stainless steel
Weight (kg)	161.7



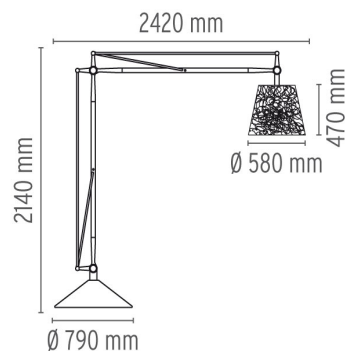
Superarchimoon outdoor

designed by Philippe Starck

Floor lamp for outdoor use providing direct and diffused light.

● F6367022	Panama
● F6367041	Green wall

DIMENSIONS



CERTIFICATIONS



Superarchimoon outdoor . Lamps



205W E27 HSGS

Lamp Watt:
205 W

Lamp category:
Halogen mains

Socket:
E27

Lamp type:
HSGS



LED 21W E27 2450lm

Lamp Watt:
21 W

Lamp category:
LED

Socket:
E27

Lamp type:
LED



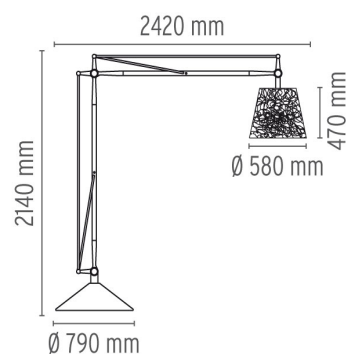
Superarchimoon outdoor

designed by Philippe Starck

Floor lamp for outdoor use providing direct and diffused light.

- F6367022 Panama
- F6367041 Green wall

DIMENSIONS



CERTIFICATIONS

