

LIGHTLIGHT® PEND/CEILING-PINPIN

Number of heads	1
Mounting	LightLight® Pend/Ceiling
Lamps description	QR-CBC 51 clear/frosted GX5.3 20/35W or LED QR-CBC 51 GX5.3 4W
Voltage (V)	12
Environment	Indoor

OPTICAL

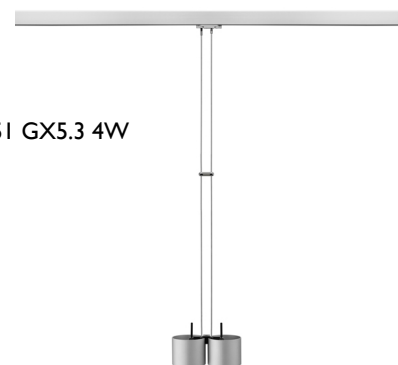
Light controller description	Bare lamps
Aiming	Directional
Light distribution symmetry	Symmetric
Beam angle	60° x 60°

ELECTRICAL

Transformer availability	Separate item
Transformer mounting	Remote
Emergency	Without
Insulation class	Class III




PHYSICAL

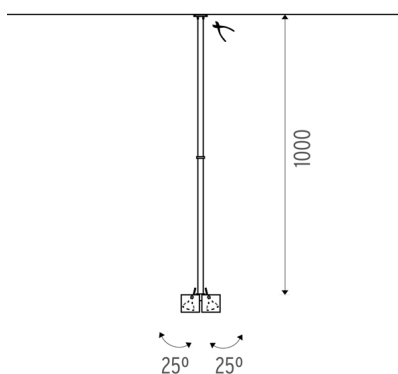
Length of rod (mm)	1000
Height (mm)	55
Spot diameter (mm)	70
Construction material	Aluminium
Weight (kg)	0,17



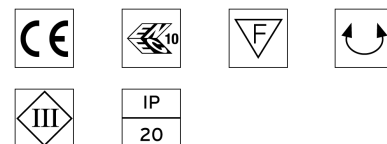
LightLight® Pend/Ceiling-Pinpin
designed by Hans Buschfeld

Table and counter luminaire to be installed on 12V pending or ceiling track system. Track adapter integrated.

	BU33000P	Polished aluminium
	BU33000W	White
	BU33000A	Anodised aluminium
	BU33000B	Black



CERTIFICATIONS



LightLight® Pend/Ceiling-Pinpin . Lamps



60.6392
QR-CBC 5I
Lamp Watt:
 20 W
Lamp category:
 Halogen low voltage
Socket:
 GX5.3
Lamp angle:
 10 °
Color temperature (K):
 3000 °K
Catalog reference:
 60.6392
Lamp type:
 QR-CBC 5I



60.6393
QR-CBC 5I
Lamp Watt:
 20 W
Lamp category:
 Halogen low voltage
Socket:
 GX5.3
Lamp angle:
 24 °
Color temperature (K):
 3000 °K
Catalog reference:
 60.6393
Lamp type:
 QR-CBC 5I



60.6394
QR-CBC 5I
Lamp Watt:
 20 W
Lamp category:
 Halogen low voltage
Socket:
 GX5.3
Lamp angle:
 38 °
Color temperature (K):
 3000 °K
Catalog reference:
 60.6394
Lamp type:
 QR-CBC 5I



60.6395
QR-CBC 5I
Lamp Watt:
 20 W
Lamp category:
 Halogen low voltage
Socket:
 GX5.3
Lamp angle:
 60 °
Color temperature (K):
 3000 °K
Catalog reference:
 60.6395
Lamp type:
 QR-CBC 5I



60.6355
QR-CBC 5I
Lamp Watt:
 35 W
Lamp category:
 Halogen low voltage
Socket:
 GX5.3
Lamp angle:
 24 °
Color temperature (K):
 3000 °K
Catalog reference:
 60.6355
Lamp type:
 QR-CBC 5I



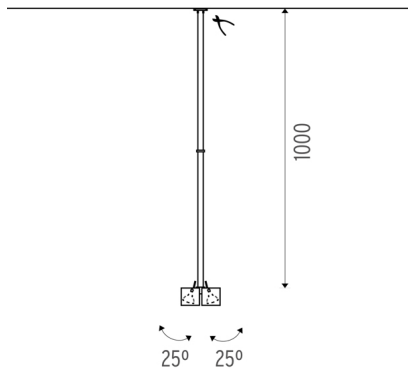
60.6356
QR-CBC 5I
Lamp Watt:
 35 W
Lamp category:
 Halogen low voltage
Socket:
 GX5.3
Lamp angle:
 38 °
Color temperature (K):
 3000 °K
Catalog reference:
 60.6356
Lamp type:
 QR-CBC 5I



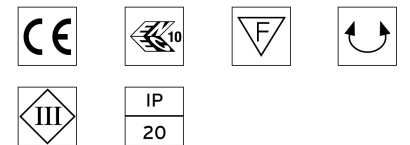
LightLight® Pend/Ceiling-Pinpin designed by Hans Buschfeld

Table and counter luminaire to be installed on 12V pending or ceiling track system. Track adapter integrated.

	BU33000P	Polished aluminium
	BU33000W	White
	BU33000A	Anodised aluminium
	BU33000B	Black



CERTIFICATIONS



LightLight® Pend/Ceiling-Pinpin . Lamps



60.6357

QR-CBC 51

Lamp Watt:
35 W

Lamp category:
Halogen low voltage

Socket:
GX5.3

Lamp angle:
60 °

Color temperature (K):
3000 °K

Catalog reference:
60.6357

Lamp type:
QR-CBC 51



BU19

QR-CBC 51

Lamp Watt:
20 W

Lamp category:
Halogen low voltage

Socket:
GX5.3

Lamp angle:
38 °

Color temperature (K):
3000 °K

Catalog reference:
BU19

Lamp type:
QR-CBC 51



BU20

QR-CBC 51

Lamp Watt:
35 W

Lamp category:
Halogen low voltage

Socket:
GX5.3

Lamp angle:
38 °

Color temperature (K):
3000 °K

Catalog reference:
BU20

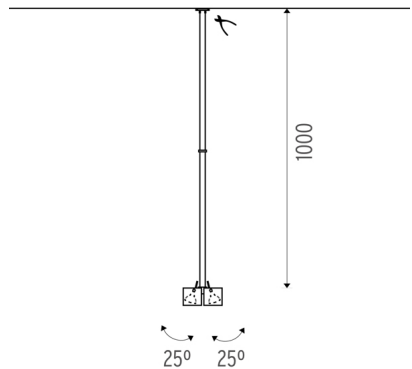
Lamp type:
QR-CBC 51



LightLight® Pend/Ceiling-Pinpin
designed by Hans Buschfeld

Table and counter luminaire to be installed on 12V pending or ceiling track system. Track adapter integrated.

	BU33000P	Polished aluminium
	BU33000W	White
	BU33000A	Anodised aluminium
	BU33000B	Black



CERTIFICATIONS

