

LIGHTLIGHT® WALL-POSTER|TUBE

Number of heads	1
Mounting	LightLight® Wall
Lamps description	QR-CBC 51 clear/frosted GX5.3 20/35/50W or LED QR-CBC 51 GX5.3 4/7/10W
Voltage (V)	12
Environment	Indoor

OPTICAL

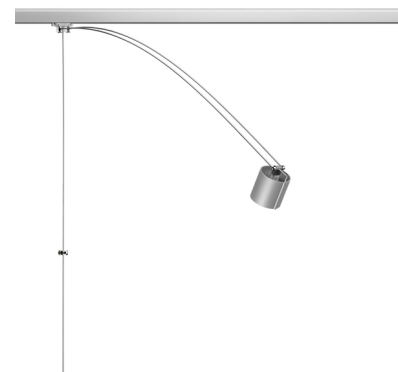
Light controller description	Bare lamps
Aiming	Directional
Light distribution symmetry	Symmetric
Beam angle	36°

ELECTRICAL

Transformer availability	Separate item
Transformer mounting	Remote
Emergency	Without
Insulation class	Class III



PHYSICAL

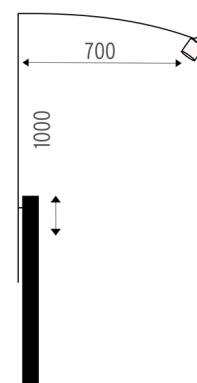
Length of rod (mm)	2300-2700
Height (mm)	67
Spot diameter (mm)	57
Construction material	Aluminium
Weight (kg)	0,11



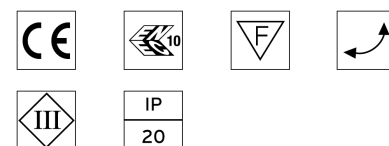
LightLight® Wall-Poster|Tube
designed by Hans Buschfeld

Picture luminaire to be installed on 12V wall track system. Track adapter and picture-hanging rod integrated.

	BU12202W	White
	BU12202A	Anodised aluminium
	BU12202B	Black
	BU12202P	Polished aluminium



CERTIFICATIONS



LightLight® Wall-Poster|Tube . Lamps



60.6392
QR-CBC 51
Lamp Watt:
 20 W
Lamp category:
 Halogen low voltage
Socket:
 GX5.3
Lamp angle:
 10 °
Color temperature (K):
 3000 °K
Catalog reference:
 60.6392
Lamp type:
 QR-CBC 51



60.6359
QR-CBC 51
Lamp Watt:
 50 W
Lamp category:
 Halogen low voltage
Socket:
 GX5.3
Lamp angle:
 24 °
Color temperature (K):
 3000 °K
Catalog reference:
 60.6359
Lamp type:
 QR-CBC 51



60.6360
QR-CBC 51
Lamp Watt:
 50 W
Lamp category:
 Halogen low voltage
Socket:
 GX5.3
Lamp angle:
 38 °
Color temperature (K):
 3000 °K
Catalog reference:
 60.6360
Lamp type:
 QR-CBC 51



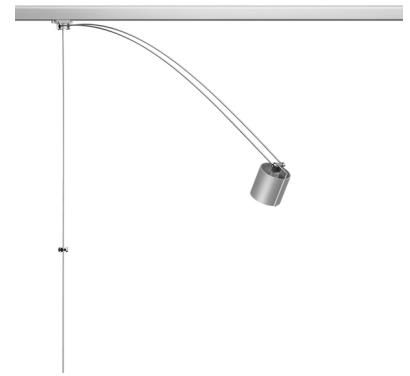
60.6361
QR-CBC 51
Lamp Watt:
 50 W
Lamp category:
 Halogen low voltage
Socket:
 GX5.3
Lamp angle:
 60 °
Color temperature (K):
 3000 °K
Catalog reference:
 60.6361
Lamp type:
 QR-CBC 51



60.6393
QR-CBC 51
Lamp Watt:
 20 W
Lamp category:
 Halogen low voltage
Socket:
 GX5.3
Lamp angle:
 24 °
Color temperature (K):
 3000 °K
Catalog reference:
 60.6393
Lamp type:
 QR-CBC 51



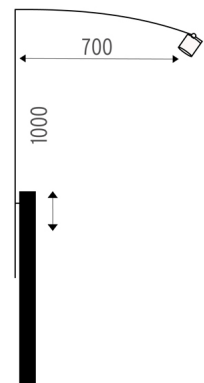
60.6394
QR-CBC 51
Lamp Watt:
 20 W
Lamp category:
 Halogen low voltage
Socket:
 GX5.3
Lamp angle:
 38 °
Color temperature (K):
 3000 °K
Catalog reference:
 60.6394
Lamp type:
 QR-CBC 51



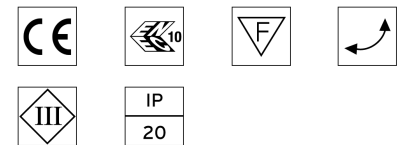
LightLight® Wall-Poster|Tube
 designed by Hans Buschfeld

Picture luminaire to be installed on 12V wall track system. Track adapter and picture-hanging rod integrated.

- BU12202W White
- BU12202A Anodised aluminium
- BU12202B Black
- BU12202P Polished aluminium



CERTIFICATIONS



LightLight® Wall-Poster|Tube . Lamps



60.6395

QR-CBC 51

Lamp Watt:
20 W

Lamp category:
Halogen low voltage

Socket:
GX5.3

Lamp angle:
60 °

Color temperature (K):
3000 °K

Catalog reference:
60.6395

Lamp type:
QR-CBC 51



60.6355

QR-CBC 51

Lamp Watt:
35 W

Lamp category:
Halogen low voltage

Socket:
GX5.3

Lamp angle:
24 °

Color temperature (K):
3000 °K

Catalog reference:
60.6355

Lamp type:
QR-CBC 51



60.6356

QR-CBC 51

Lamp Watt:
35 W

Lamp category:
Halogen low voltage

Socket:
GX5.3

Lamp angle:
38 °

Color temperature (K):
3000 °K

Catalog reference:
60.6356

Lamp type:
QR-CBC 51



60.6357

QR-CBC 51

Lamp Watt:
35 W

Lamp category:
Halogen low voltage

Socket:
GX5.3

Lamp angle:
60 °

Color temperature (K):
3000 °K

Catalog reference:
60.6357

Lamp type:
QR-CBC 51



BU19

QR-CBC 51

Lamp Watt:
20 W

Lamp category:
Halogen low voltage

Socket:
GX5.3

Lamp angle:
38 °

Color temperature (K):
3000 °K

Catalog reference:
BU19

Lamp type:
QR-CBC 51



BU20

QR-CBC 51

Lamp Watt:
35 W

Lamp category:
Halogen low voltage

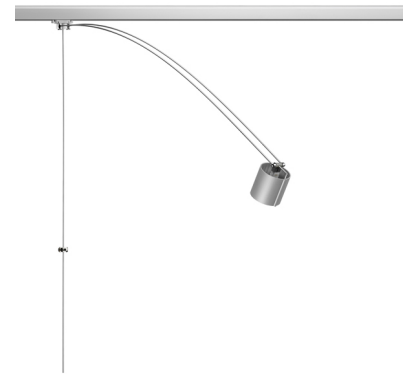
Socket:
GX5.3

Lamp angle:
38 °

Color temperature (K):
3000 °K

Catalog reference:
BU20

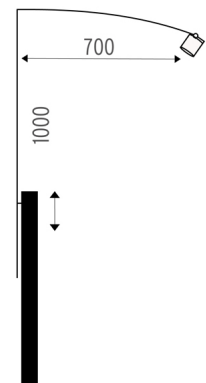
Lamp type:
QR-CBC 51



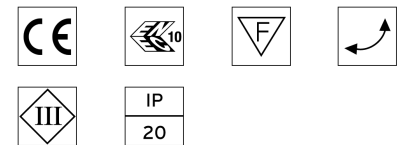
LightLight® Wall-Poster|Tube
designed by Hans Buschfeld

Picture luminaire to be installed on 12V wall track system. Track adapter and picture-hanging rod integrated.

	BU12202W	White
	BU12202A	Anodised aluminium
	BU12202B	Black
	BU12202P	Polished aluminium



CERTIFICATIONS



LightLight® Wall-Poster|Tube . Lamps



BU21

QR-CBC 51

Lamp Watt:
50 W

Lamp category:
Halogen low voltage

Socket:
GX5.3

Lamp angle:
60 °

Color temperature (K):
3000 °K

Catalog reference:
BU21

Lamp type:
QR-CBC 51



60.6891

LED QR-CBC 51

Lamp Watt:
8 W

Lamp category:
LED

Socket:
GX5.3

Lamp angle:
24 °

Color temperature (K):
3000 °K

Catalog reference:
60.6891

Lamp type:
LED QR-CBC 51



60.6992

LED QR-CBC 51

Lamp Watt:
6,5 W

Lamp category:
LED

Socket:
GX5.3

Lamp angle:
36 °

Color temperature (K):
3000 °K

Catalog reference:
60.6992

Lamp type:
LED QR-CBC 51



60.6990

LED QR-CBC 51

Lamp Watt:
6,5 W

Lamp category:
LED

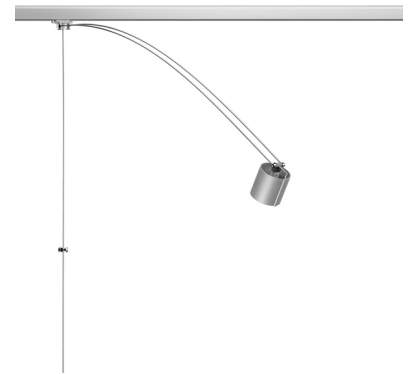
Socket:
GX5.3

Lamp angle:
24 °

Color temperature (K):
3000 °K

Catalog reference:
60.6990

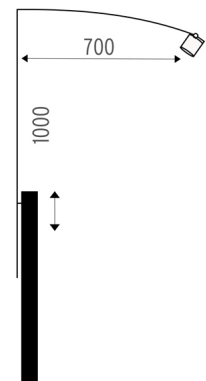
Lamp type:
LED QR-CBC 51



LightLight® Wall-Poster|Tube
designed by Hans Buschfeld

Picture luminaire to be installed on 12V wall track system. Track adapter and picture-hanging rod integrated.

	BU12202W	White
	BU12202A	Anodised aluminium
	BU12202B	Black
	BU12202P	Polished aluminium



CERTIFICATIONS

