

## SUPER FLAT SUSPENSION 90X90 DOWN DALI VERSION

<b>Number of heads</b>	1
<b>Mounting</b>	Pendant
<b>Lamps description</b>	Top LED 3000K CRI 80
<b>Luminaire luminous flux</b>	Extreme Cut-off. See reference number
<b>Voltage (V)</b>	220/240
<b>Environment</b>	Indoor
<b>Notes</b>	Total consumption of the system: 52W. Light source: max. 6964 lm. Luminous efficiency of luminaire: max. 138 lm/W.

### OPTICAL

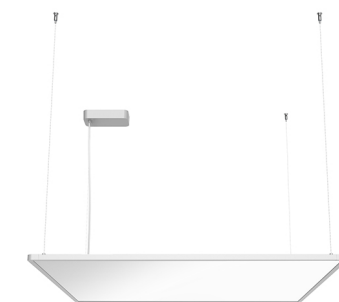
<b>Light controller description</b>	Protection glass
<b>Aiming</b>	Fixed
<b>Light distribution symmetry</b>	Symmetric
<b>Beam angle</b>	124°

### ELECTRICAL

<b>Transformer availability</b>	Included
<b>Transformer mounting</b>	Integral
<b>Transformer type</b>	Electronic dimmable dali
<b>Emergency</b>	Without
<b>Insulation class</b>	Class I

### PHYSICAL

<b>Construction material</b>	Extruded aluminum or Injected aluminum
<b>Weight (kg)</b>	8,30

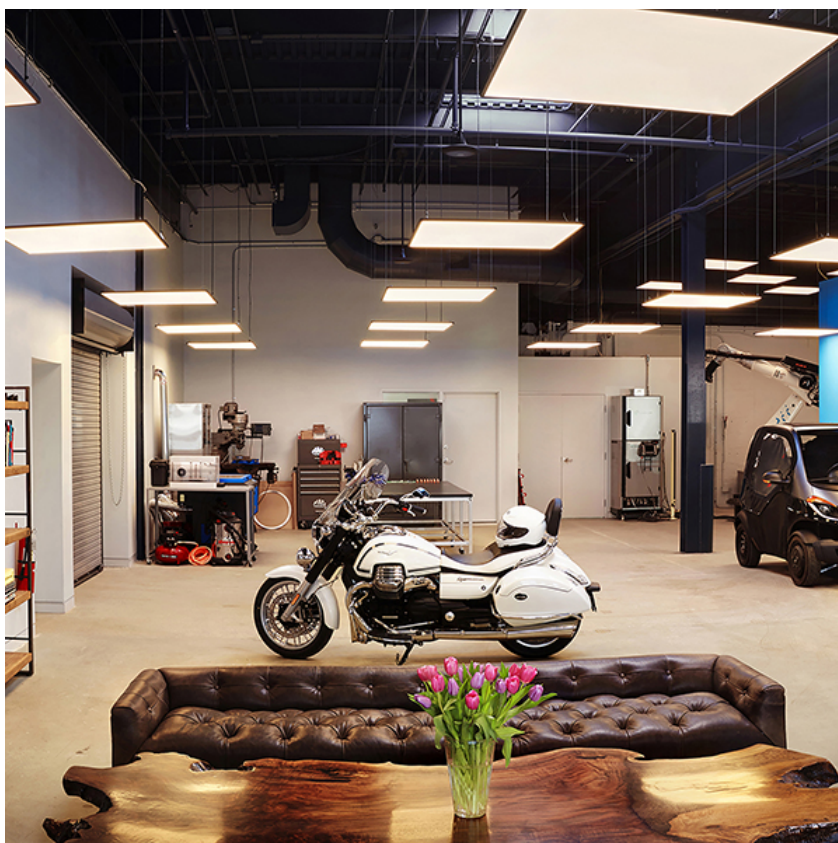
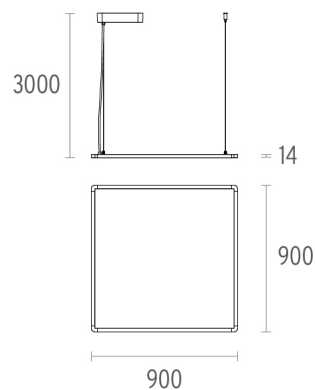


### Super Flat Suspension 90x90 Down Dali Version

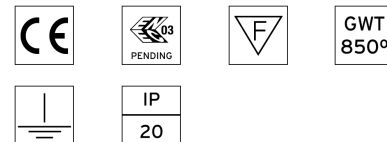
designed by FLOS Architectural

General lighting LED luminaire to be suspended from ceiling. Power supply included.

- 09.5020.14ADA - 4630lm Black
- 09.5020.30ADA - 4630lm White
- 09.5020.02ADA - 4630lm Grey



### CERTIFICATIONS



## Super Flat Suspension 90x90 Down Dali Version . Lamps



### Top LED

#### Lamp category:

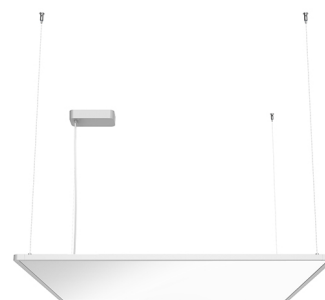
LED

#### Socket:

Special base

#### Lamp type:

Top LED

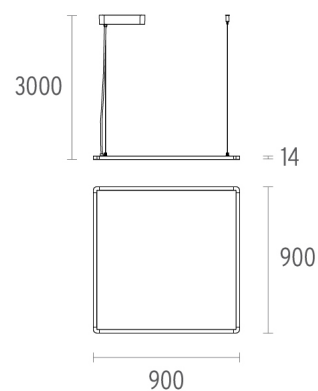


### Super Flat Suspension 90x90 Down Dali Version

designed by FLOS Architectural

General lighting LED luminaire to be suspended from ceiling. Power supply included.

- 09.5020.14ADA - 4630lm Black
- 09.5020.30ADA - 4630lm White
- 09.5020.02ADA - 4630lm Grey



### CERTIFICATIONS

