

UT SPOT TRACK Ø86 DALI VERSION

Number of heads	1
Mounting	Track mounting
Lamps description	Phosphor LED 29,3W 3000 lm 4000K CRI 80
Luminaire luminous flux	See reference number
Voltage (V)	220/240
Environment	Indoor
Notes	FLOS three-phase lighting track luminaires are designed and fully tested for tracks recommended by FLOS. Compatibility is guaranteed with three-phase track produced by Nordic Aluminium. Compatibility with Eutrac under request. FLOS three-phase DALI track luminaires are designed for Pulse DALI from Nordic Aluminium.

OPTICAL

Reflector finish	Aluminum
Aiming	Adjustable
Light distribution symmetry	Symmetric
Beam angle	32° Flood

ELECTRICAL

Transformer availability	Included
Transformer mounting	Integral
Transformer type	Electronic dimmable dali
Emergency	Without
Insulation class	Class II

PHYSICAL

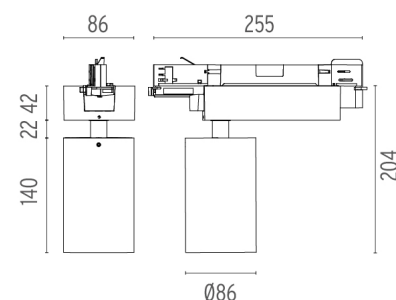
Spot diameter (mm)	86
Construction material	Aluminium
Weight (kg)	1,36



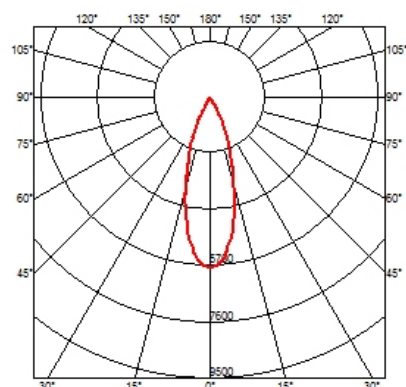
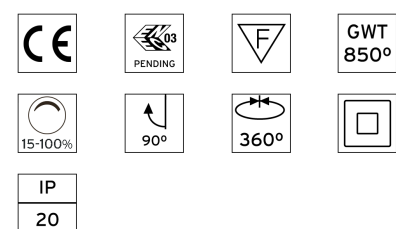
UT Spot Track Ø86 Dali Version
designed by FLOS Architectural

Spotlight to be installed on 3-phase track. With LED light source. 220-240V, 50-60Hz power supply integrated.

- 09.4252.30.DA - 1947lm White
- 09.4252.14.DA - 1947lm Black



CERTIFICATIONS



UT Spot Track Ø86 Dali Version . Accessories

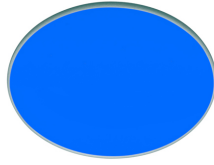
Optical



08.8163.68

Elliptical lens

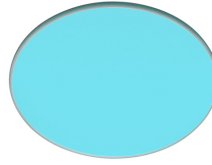
Elliptical light distribution lens in 4 mm thick tempered glass.



08.8160.64.OD

Blue filter

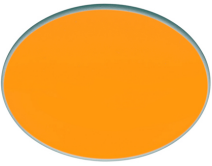
Blue filter



08.8160.65.OD

Sky blue filter

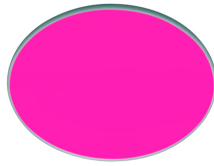
Sky blue filter



08.8160.66.OD

Amber filter

Amber filter



08.8160.67.OD

Red filter

Red filter



08.8160.98.OD

U.V. filter

U.V. filter



08.8160.68

I.R. filter

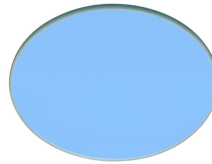
I.R. filter



08.8160.69

Hot Light

Hot Light



08.8160.CL

Cold light filter

Cold light filter

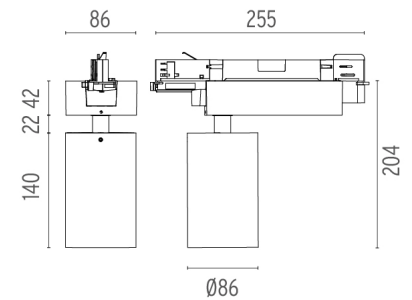


UT Spot Track Ø86 Dali Version designed by FLOS Architectural

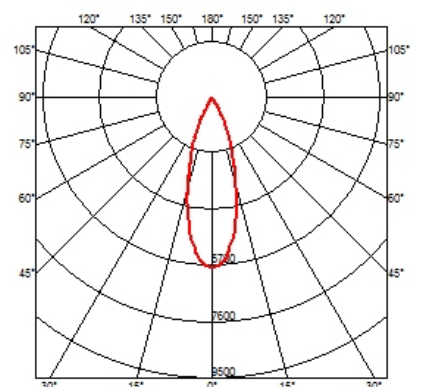
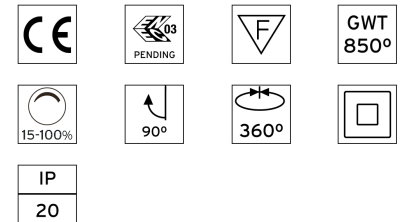
Spotlight to be installed on 3-phase track. With LED light source. 220-240V, 50-60Hz power supply integrated.

09.4252.30.DA - 1947lm White

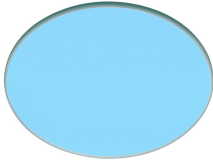
09.4252.14.DA - 1947lm Black



CERTIFICATIONS



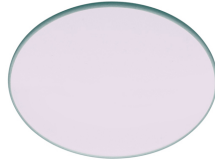
UT Spot Track Ø86 Dali Version . Accessories



08.8160.DL

Daylight filter

Daylight filter



08.8160.ND

Neodimium



08.8175.68

Flood lens

Flood lens made in press glass.



UT Spot Track Ø86 Dali Version designed by FLOS Architectural

Spotlight to be installed on 3-phase track. With LED light source. 220-240V, 50-60Hz power supply integrated.

09.4252.30.DA - 1947lm White

09.4252.14.DA - 1947lm Black



08.8495.14

Honeycomb

"Honeycomb" anti-glare screen: in thin, black-painted aluminium sheets.



08.8410.00

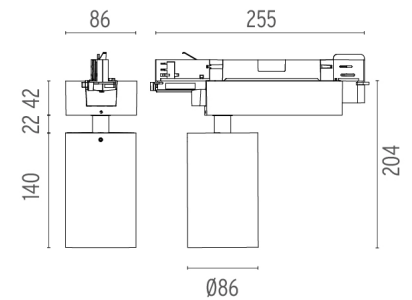
Holding ring

Holding ring

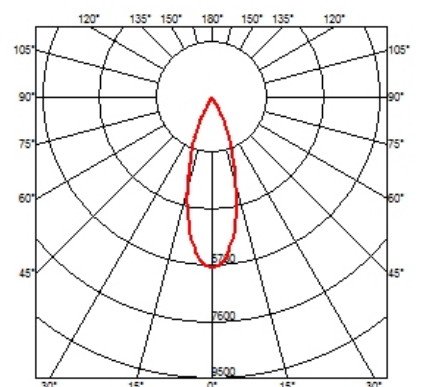


08.8411.00

Screening crosspiece



CERTIFICATIONS



UT Spot Track Ø86 Dali Version . Lamps



Phosphor LED

Lamp category:
LED

Lamp type:
Phosphor LED

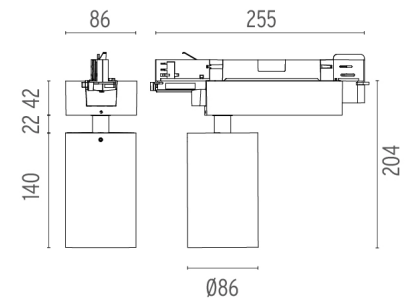


UT Spot Track Ø86 Dali Version
designed by FLOS Architectural

Spotlight to be installed on 3-phase track. With LED light source. 220-240V, 50-60Hz power supply integrated.

● 09.4252.30.DA - 1947lm White

● 09.4252.14.DA - 1947lm Black



CERTIFICATIONS

