

UT SPOT TRACK Ø86 DALI VERSION

| | |
|--------------------------------|--|
| Number of heads | 1 |
| Mounting | Track mounting |
| Lamps description | Phosphor LED 34,1W 3000 lm 3000K CRI 98 |
| Luminaire luminous flux | See reference number |
| Voltage (V) | 220/240 |
| Environment | Indoor |
| Notes | FLOS three-phase lighting track luminaires are designed and fully tested for tracks recommended by FLOS. Compatibility is guaranteed with three-phase track produced by Nordic Aluminium. Compatibility with Eutrac under request. FLOS three-phase DALI track luminaires are designed for Pulse DALI from Nordic Aluminium. |

OPTICAL

| | |
|------------------------------------|------------|
| Reflector finish | Aluminum |
| Aiming | Adjustable |
| Light distribution symmetry | Symmetric |
| Beam angle | 32° Flood |

ELECTRICAL

| | |
|---------------------------------|--------------------------|
| Transformer availability | Included |
| Transformer mounting | Integral |
| Transformer type | Electronic dimmable dali |
| Emergency | Without |
| Insulation class | Class II |

PHYSICAL

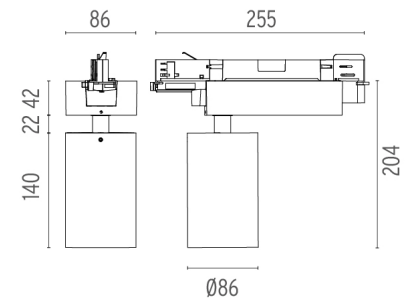
| | |
|------------------------------|-----------|
| Spot diameter (mm) | 86 |
| Construction material | Aluminium |
| Weight (kg) | 1,36 |



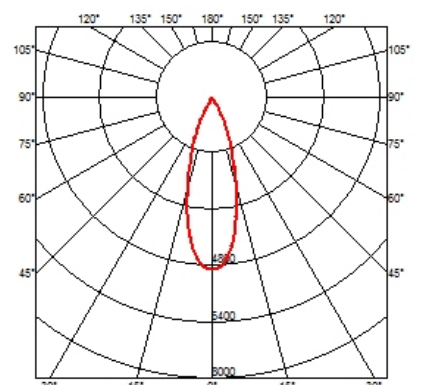
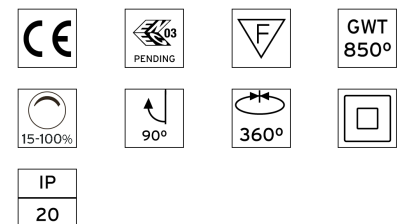
UT Spot Track Ø86 Dali Version
designed by FLOS Architectural

Spotlight to be installed on 3-phase track. With LED light source. 220-240V, 50-60Hz power supply integrated.

- 09.4245.30.DA - 1654lm White
- 09.4245.14.DA - 1654lm Black



CERTIFICATIONS



UT Spot Track Ø86 Dali Version . Accessories

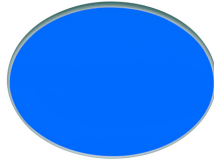
Optical



08.8163.68

Elliptical lens

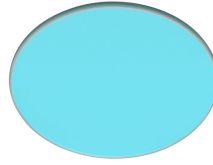
Elliptical light distribution lens in 4 mm thick tempered glass.



08.8160.64.OD

Blue filter

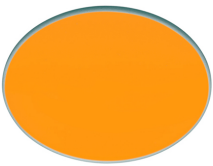
Blue filter



08.8160.65.OD

Sky blue filter

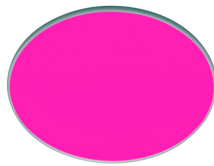
Sky blue filter



08.8160.66.OD

Amber filter

Amber filter



08.8160.67.OD

Red filter

Red filter



08.8160.98.OD

U.V. filter

U.V. filter



08.8160.68

I.R. filter

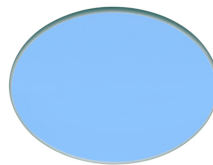
I.R. filter



08.8160.69

Hot Light

Hot Light



08.8160.CL

Cold light filter

Cold light filter

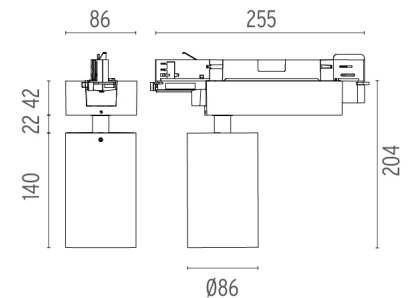


UT Spot Track Ø86 Dali Version designed by FLOS Architectural

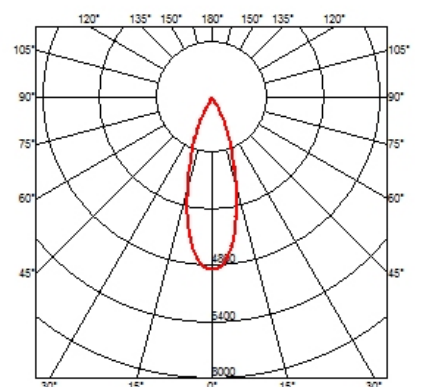
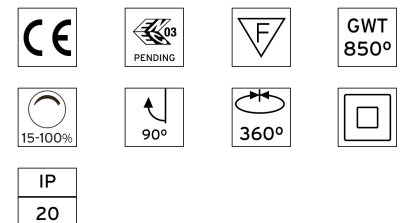
Spotlight to be installed on 3-phase track. With LED light source. 220-240V, 50-60Hz power supply integrated.

09.4245.30.DA - 1654lm White

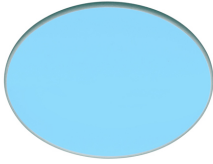
09.4245.14.DA - 1654lm Black



CERTIFICATIONS



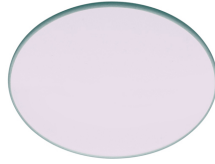
UT Spot Track Ø86 Dali Version . Accessories



08.8160.DL

Daylight filter

Daylight filter



08.8160.ND

Neodimium



○ 08.8175.68

Flood lens

Flood lens made in press glass.



UT Spot Track Ø86 Dali Version designed by FLOS Architectural

Spotlight to be installed on 3-phase track. With LED light source. 220-240V, 50-60Hz power supply integrated.

● 09.4245.30.DA - 1654lm White

● 09.4245.14.DA - 1654lm Black



● 08.8495.14

Honeycomb

"Honeycomb" anti-glare screen: in thin, black-painted aluminium sheets.



● 08.8410.00

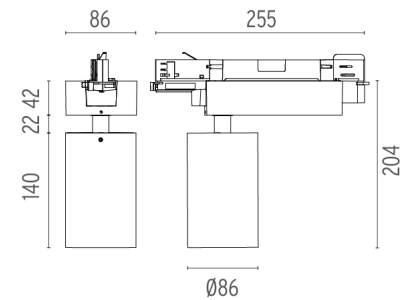
Holding ring

Holding ring

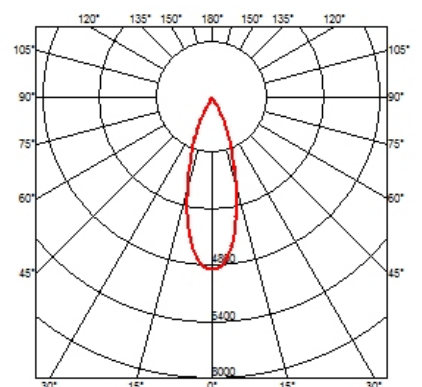


● 08.8411.00

Screening crosspiece



CERTIFICATIONS



UT Spot Track Ø86 Dali Version . Lamps



Phosphor LED

Lamp category:
LED

Lamp type:
Phosphor LED

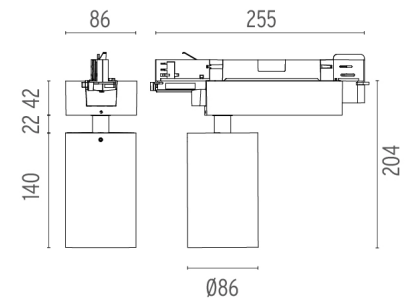


UT Spot Track Ø86 Dali Version
designed by FLOS Architectural

Spotlight to be installed on 3-phase track. With LED light source. 220-240V, 50-60Hz power supply integrated.

● 09.4245.30.DA - 1654lm White

● 09.4245.14.DA - 1654lm Black



CERTIFICATIONS

