

DECOFIX SQUARE 2L

Number of heads	2
Mounting	Ceiling recessed
Lamps description	2 x LED Array DC 500 mA 9,2W 744 lm 2700K CRI 90
Luminaire luminous flux	Extreme Cut-off. See reference number
Environment	Indoor
Notes	All versions have interchangeable screening cylinders in 3 colours: black, gold or silver, incorporated into the light fixture.

OPTICAL

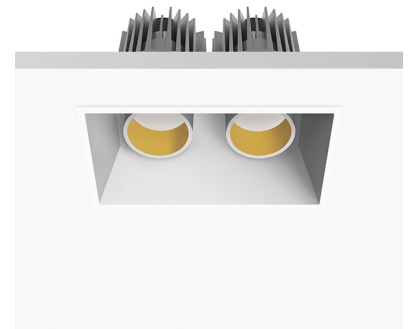
Aiming	Fixed
Light distribution symmetry	Symmetric

ELECTRICAL

Transformer availability	Separate item
Transformer mounting	Remote
Transformer type	Electronic, Electronic dimmable, Electronic dimmable 1-10V, Electronic dimmable dali
Emergency	Without
Insulation class	Class III

PHYSICAL

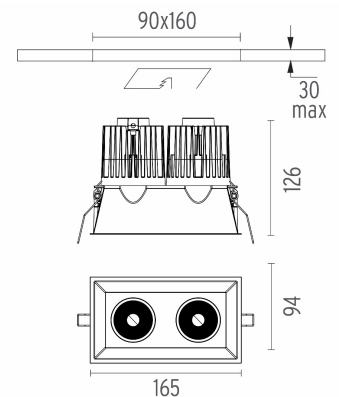
Cutout length (mm)	160
Cutout width (mm)	90
Recessed depth (mm)	126
Construction material	Thermoplastic
Weight (kg)	0,80



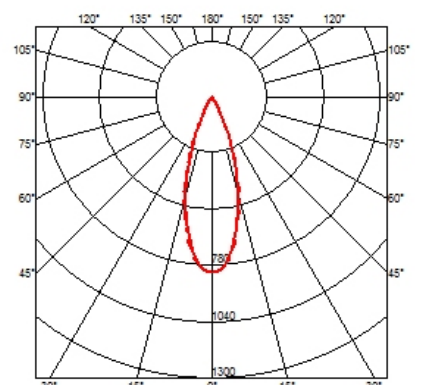
Decofix Square 2L
designed by FLOS Architectural

<div>Recessed luminaire with 2 lights for LED light source. Power supply not included. Requires one power supply for each optic body.</div>

- 09.3106.30A - 36° - 2x449lm White
- 09.3106.14A - 39° - 2x429lm Black



CERTIFICATIONS



Decofix Square 2L . Accessories

Power Supply



60.8650

Constant Current Power Supply for LED. 20W / 500 mA

Non dimmable continuous current power supply 220/240V - 50/60Hz. (110V = 12W)

Maximum length of 1.5 mm² secondary conductor (m): 50

Maximum length of 2.5 mm² secondary conductor (m): 50



60.8534

Constant Current Power Supply for LED. 32W

Continuous current power supply of 32W, 230/240V - 50/60Hz with power current selected through adjustable 350/500/700 mA switch by trailing and leading edge dimming or push dimming.

Maximum length of 1.5 mm² secondary conductor (m): 10

Maximum length of 2.5 mm² secondary conductor (m): 15



60.8533

Constant Current Power Supply for LED. 25W

Continuous current power supply of 25W, 120-240V - 50/60Hz with power current selected through adjustable 350/500/700mA 1-10V switch or push dimming.

Maximum length of 1.5 mm² secondary conductor (m): 10

Maximum length of 2.5 mm² secondary conductor (m): 15



60.8530

Constant Current Power Supply for LED. 25-50W

Continuous current power supply of 25-50W, 220/240V - 50/60Hz with power current selected through adjustable 350/500/550/650/700/750/850/900/1050mA Dali switch, 1-10V switch or push dimming.

Maximum length of 1.5 mm² secondary conductor (m): 10

Maximum length of 2.5 mm² secondary conductor (m): 15

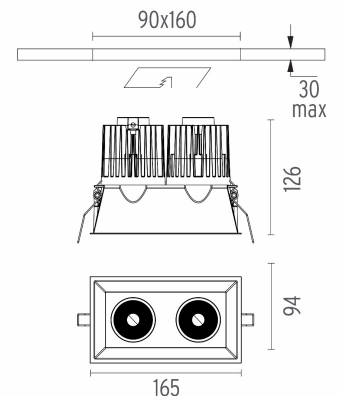


Decofix Square 2L designed by FLOS Architectural

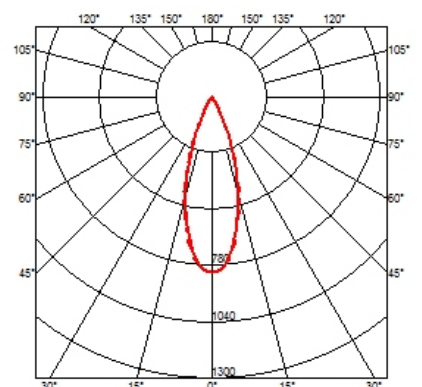
Recessed luminaire with 2 lights for LED light source. Power supply not included. Requires one power supply for each optic body.

09.3106.30A - 36° - 2x449lm White

09.3106.14A - 39° - 2x429lm Black



CERTIFICATIONS



Decofix Square 2L . Lamps



LED Array

Lamp category:

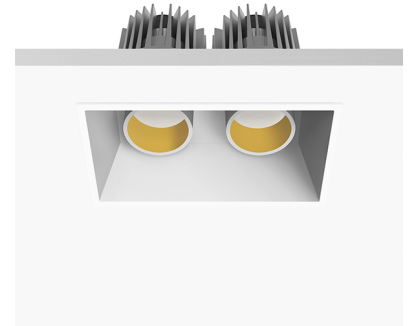
LED

Socket:

Special base

Lamp type:

LED Array



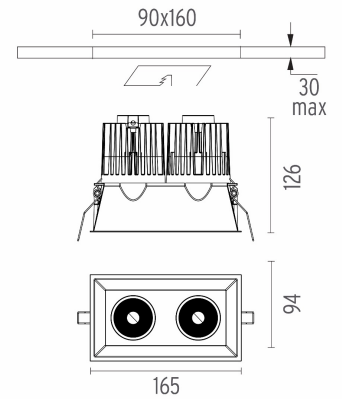
Decofix Square 2L

designed by FLOS Architectural

<div>Recessed luminaire with 2 lights for LED light source. Power supply not included. Requires one power supply for each optic body.</div>

● 09.3106.30A - 36° - 2x449lm White

● 09.3106.14A - 39° - 2x429lm Black



CERTIFICATIONS

