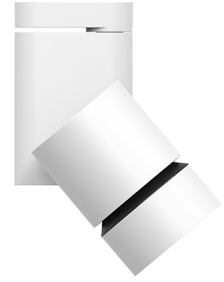


SOLID PURE CEILING/WALL DALI VERSION

Number of heads	1
Design awards	Red Dot Design Award Winner 2013
Mounting	Ceiling surface, Wall surface
Lamps description	LED Array 53W 4312 lm 3000K CRI 90
Luminaire luminous flux	See reference number
Voltage (V)	220/240
Environment	Indoor



OPTICAL

Light controller description	Protection glass
Aiming	Adjustable
Light distribution symmetry	Symmetric
Beam angle	23° Medium

Solid Pure Ceiling/Wall Dali Version
designed by Knud Holscher

Spotlight to be installed on ceiling/wall with LED light source. Integrated power supply 220-240V / 50-60Hz.

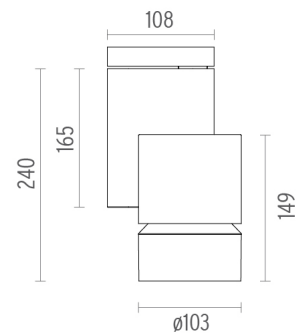
ELECTRICAL

Transformer availability	Included
Transformer mounting	Integral
Transformer type	Electronic dimmable dali
Emergency	Without
Insulation class	Class I

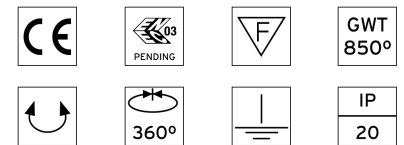
- 09.2981.30.DA - 3805lm White
- 09.2981.14.DA - 3805lm Black

PHYSICAL

Diameter (mm)	S/N
Height (mm)	239,5
Spot diameter (mm)	103
Construction material	Aluminium
Weight (kg)	1,90



CERTIFICATIONS



Solid Pure Ceiling/Wall Dali Version . Accessories

Optical



08.8768.14

Holding ring

Holding ring



08.8763.14

Honeycomb anti-glare screen

"Honeycomb" anti-glare screen: in thin, black-painted aluminium sheets.



08.8766.64.OD

Blue filter

Blue filter



08.8766.65.OD

Sky blue filter

Sky blue filter



08.8766.66.OD

Amber filter

Amber filter



08.8766.67.OD

Red filter

Red filter

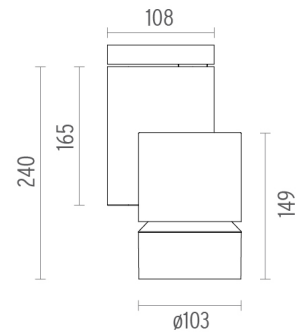


Solid Pure Ceiling/Wall Dali Version designed by Knud Holscher

Spotlight to be installed on ceiling/wall with LED light source. Integrated power supply 220-240V / 50-60Hz.

09.2981.30.DA - 3805lm White

09.2981.14.DA - 3805lm Black



CERTIFICATIONS



Solid Pure Ceiling/Wall Dali Version . Lamps



LED Array

Lamp category:

LED

Socket:

Special base

Lamp type:

LED Array

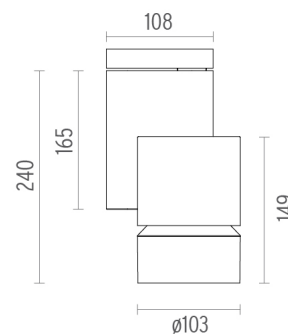


Solid Pure Ceiling/Wall Dali Version
designed by Knud Holscher

Spotlight to be installed on ceiling/wall with LED light source. Integrated power supply 220-240V / 50-60Hz.

● 09.2981.30.DA - 3805lm White

● 09.2981.14.DA - 3805lm Black



CERTIFICATIONS

