

SOLID PURE TRACK DALI VERSION

Number of heads	1
Design awards	Red Dot Design Award Winner 2013
Mounting	Three phase track
Lamps description	LED Array 53W 4312 lm 3000K CRI 90
Luminaire luminous flux	See reference number
Voltage (V)	220/240
Environment	Indoor

OPTICAL

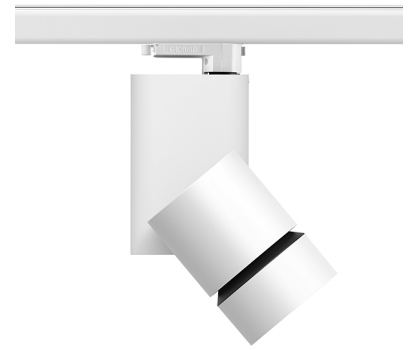
Light controller description	Protection glass
Aiming	Adjustable
Light distribution symmetry	Symmetric
Beam angle	23° Medium

ELECTRICAL

Transformer availability	Included
Transformer mounting	Integral
Transformer type	Electronic dimmable dali
Emergency	Without
Insulation class	Class I

PHYSICAL

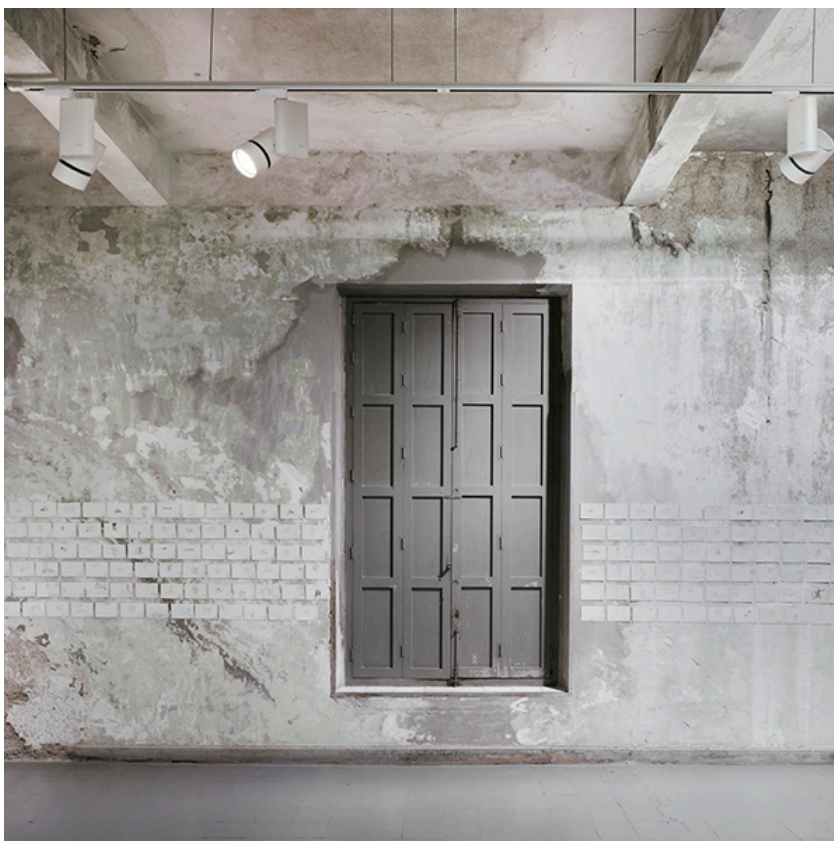
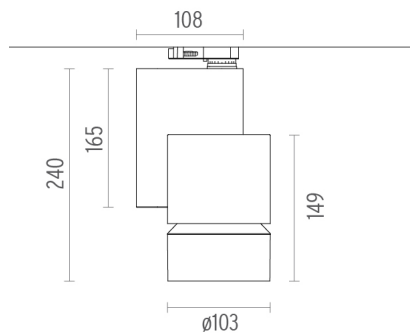
Diameter (mm)	S/N
Height (mm)	239,5
Spot diameter (mm)	103
Construction material	Aluminium
Weight (kg)	1,70



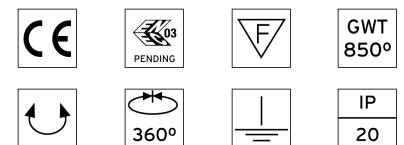
Solid Pure Track Dali Version designed by Knud Holscher

Spotlight to be installed on 3-circuit-track with LED light source. Integrated power supply 220-240V / 50-60Hz.

- 09.2978.30.DA - 3805lm White
- 09.2978.14.DA - 3805lm Black



CERTIFICATIONS



Solid Pure Track Dali Version . Accessories

Optical



08.8768.14

Holding ring

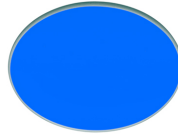
Holding ring



08.8763.14

Honeycomb anti-glare screen

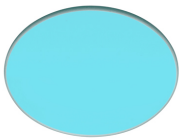
"Honeycomb" anti-glare screen: in thin, black-painted aluminium sheets.



08.8766.64.OD

Blue filter

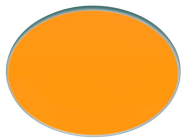
Blue filter



08.8766.65.OD

Sky blue filter

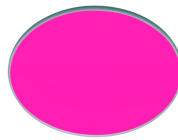
Sky blue filter



08.8766.66.OD

Amber filter

Amber filter



08.8766.67.OD

Red filter

Red filter

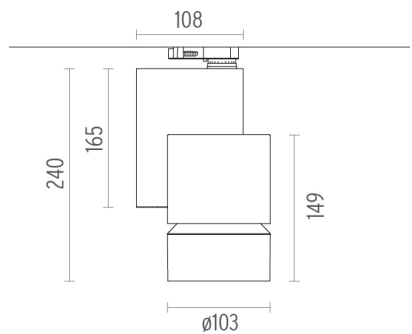


Solid Pure Track Dali Version designed by Knud Holscher

Spotlight to be installed on 3-circuit-track with LED light source. Integrated power supply 220-240V / 50-60Hz.

09.2978.30.DA - 3805lm White

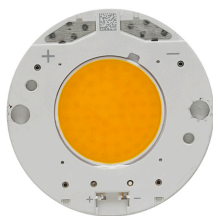
09.2978.14.DA - 3805lm Black



CERTIFICATIONS



Solid Pure Track Dali Version . Lamps



LED Array

Lamp category:

LED

Socket:

Special base

Lamp type:

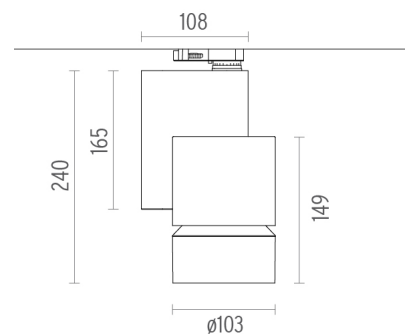
LED Array



Solid Pure Track Dali Version
designed by Knud Holscher

Spotlight to be installed on 3-circuit-track with LED light source.
Integrated power supply 220-240V / 50-60Hz.

- 09.2978.30.DA - 3805lm White
- 09.2978.14.DA - 3805lm Black



CERTIFICATIONS

