

## SOLID PURE TRACK NO DIMMABLE

<b>Number of heads</b>	1
<b>Design awards</b>	Red Dot Design Award Winner 2013
<b>Mounting</b>	Three phase track
<b>Lamps description</b>	LED Array 53W 5315 lm 3000K CRI 80
<b>Luminaire luminous flux</b>	See reference number
<b>Voltage (V)</b>	220/240
<b>Environment</b>	Indoor

### OPTICAL

<b>Light controller description</b>	Protection glass
<b>Aiming</b>	Adjustable
<b>Light distribution symmetry</b>	Symmetric
<b>Beam angle</b>	15° Spot

### ELECTRICAL

<b>Transformer availability</b>	Included
<b>Transformer mounting</b>	Integral
<b>Transformer type</b>	Electronic
<b>Emergency</b>	Without
<b>Insulation class</b>	Class I

### PHYSICAL

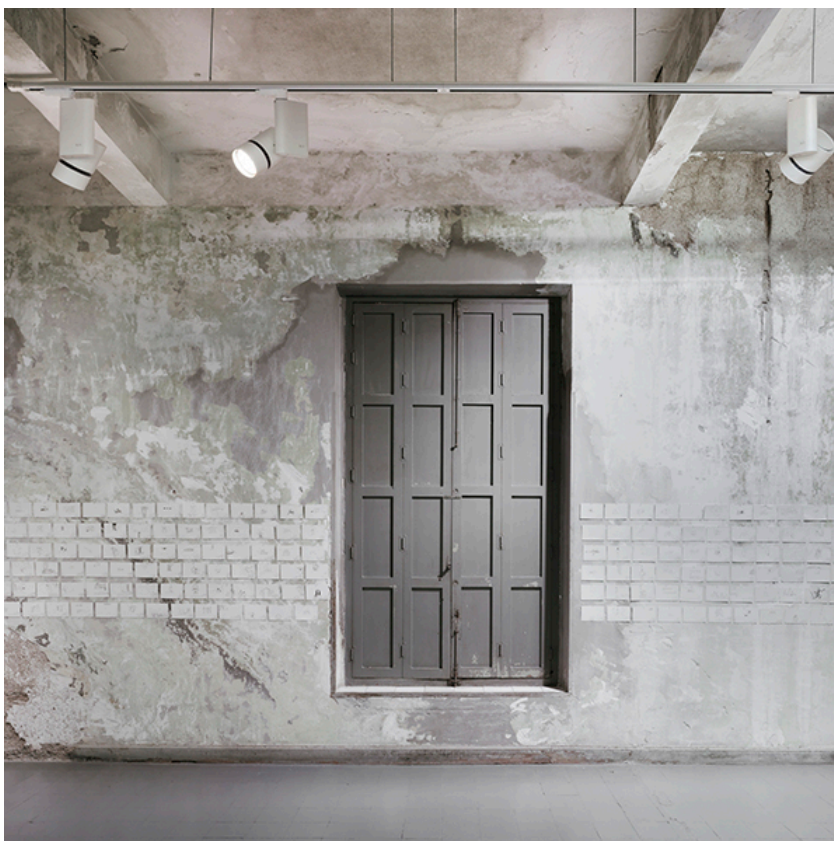
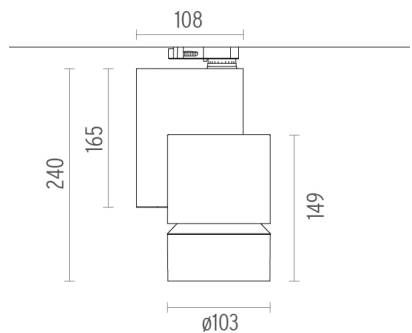
<b>Diameter (mm)</b>	S/N
<b>Height (mm)</b>	239,5
<b>Spot diameter (mm)</b>	103
<b>Construction material</b>	Aluminium
<b>Weight (kg)</b>	1,70



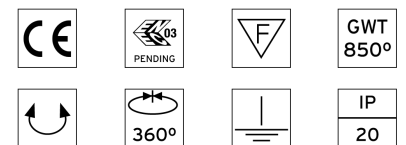
**Solid Pure Track No Dimmable**  
designed by Knud Holscher

Spotlight to be installed on 3-circuit-track with LED light source. Integrated power supply 220-240V / 50-60Hz.

● 09.2965.30 - 4695lm	White
● 09.2965.14 - 4695lm	Black



### CERTIFICATIONS



## Solid Pure Track No Dimmable . Accessories

### Optical



08.8768.14

#### Holding ring

Holding ring



● 08.8763.14

#### Honeycomb anti-glare screen

"Honeycomb" anti-glare screen: in thin, black-painted aluminium sheets.



● 08.8766.64.OD

#### Blue filter

Blue filter



● 08.8766.65.OD

#### Sky blue filter

Sky blue filter



● 08.8766.66.OD

#### Amber filter

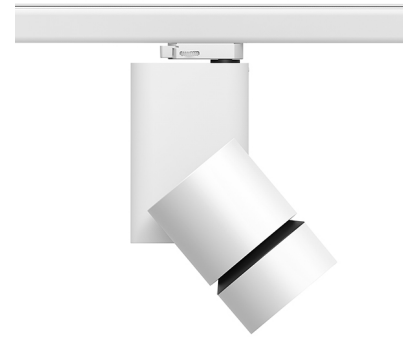
Amber filter



● 08.8766.67.OD

#### Red filter

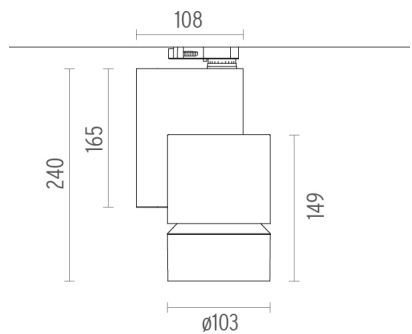
Red filter



#### Solid Pure Track No Dimmable designed by Knud Holscher

Spotlight to be installed on 3-circuit-track with LED light source. Integrated power supply 220-240V / 50-60Hz.

- 09.2965.30 - 4695lm White
- 09.2965.14 - 4695lm Black



#### CERTIFICATIONS



## Solid Pure Track No Dimmable . Accessories

### Mounting



● 60.3022.11

● 60.3023.11

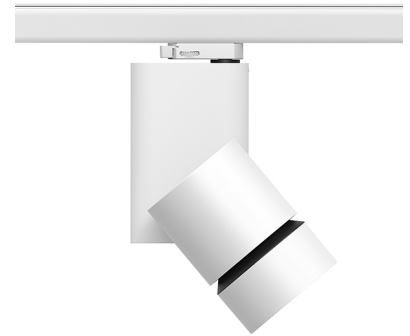
● 60.3022.14

● 60.3023.14

**Recessed box for fix-point**

● 60.3023.29

**Fix-point**

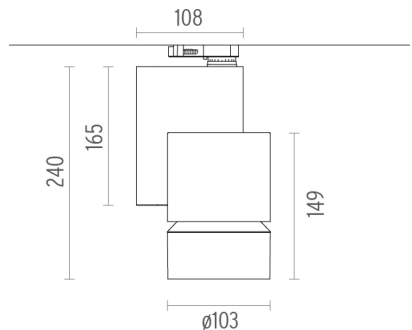


### Solid Pure Track No Dimmable designed by Knud Holscher

Spotlight to be installed on 3-circuit-track with LED light source. Integrated power supply 220-240V / 50-60Hz.

● 09.2965.30 - 4695lm White

● 09.2965.14 - 4695lm Black



## Solid Pure Track No Dimmable . Lamps



### LED Array

#### Lamp category:

LED

#### Socket:

Special base

#### Lamp type:

LED Array

### CERTIFICATIONS

