

## SOLID PURE TRACK DALI VERSION

|                                |                                    |
|--------------------------------|------------------------------------|
| <b>Number of heads</b>         | 1                                  |
| <b>Design awards</b>           | Red Dot Design Award Winner 2013   |
| <b>Mounting</b>                | Three phase track                  |
| <b>Lamps description</b>       | LED Array 35W 4508 lm 4000K CRI 80 |
| <b>Luminaire luminous flux</b> | See reference number               |
| <b>Voltage (V)</b>             | 220/240                            |
| <b>Environment</b>             | Indoor                             |

### OPTICAL

|                                     |                  |
|-------------------------------------|------------------|
| <b>Light controller description</b> | Protection glass |
| <b>Aiming</b>                       | Adjustable       |
| <b>Light distribution symmetry</b>  | Symmetric        |
| <b>Beam angle</b>                   | 45° Flood        |

### ELECTRICAL

|                                 |                          |
|---------------------------------|--------------------------|
| <b>Transformer availability</b> | Included                 |
| <b>Transformer mounting</b>     | Integral                 |
| <b>Transformer type</b>         | Electronic dimmable dali |
| <b>Emergency</b>                | Without                  |
| <b>Insulation class</b>         | Class I                  |

### PHYSICAL

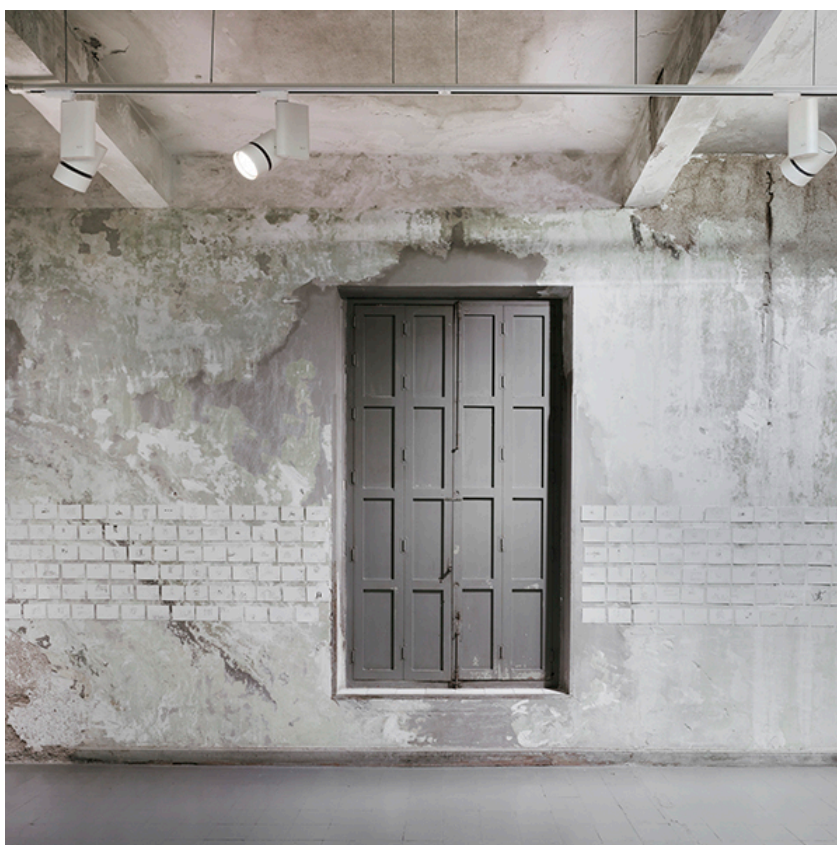
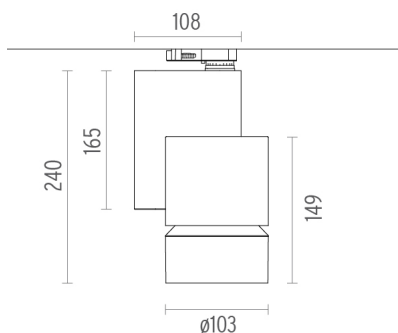
|                              |           |
|------------------------------|-----------|
| <b>Diameter (mm)</b>         | S/N       |
| <b>Height (mm)</b>           | 239,5     |
| <b>Spot diameter (mm)</b>    | 103       |
| <b>Construction material</b> | Aluminium |
| <b>Weight (kg)</b>           | 1,70      |



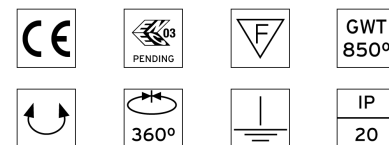
**Solid Pure Track Dali Version**  
designed by Knud Holscher

Spotlight to be installed on 3-circuit-track with LED light source. Integrated power supply 220-240V / 50-60Hz.

- 09.2961.30.DA - 3694lm White
- 09.2961.14.DA - 3694lm Black



### CERTIFICATIONS



## Solid Pure Track Dali Version . Accessories

### Optical



08.8768.14

#### Holding ring

Holding ring



08.8763.14

#### Honeycomb anti-glare screen

"Honeycomb" anti-glare screen: in thin, black-painted aluminium sheets.



08.8766.64.OD

#### Blue filter

Blue filter



08.8766.65.OD

#### Sky blue filter

Sky blue filter



08.8766.66.OD

#### Amber filter

Amber filter



08.8766.67.OD

#### Red filter

Red filter

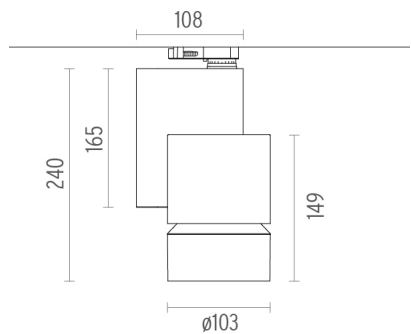


#### Solid Pure Track Dali Version designed by Knud Holscher

Spotlight to be installed on 3-circuit-track with LED light source. Integrated power supply 220-240V / 50-60Hz.

09.2961.30.DA - 3694lm White

09.2961.14.DA - 3694lm Black



#### CERTIFICATIONS



## Solid Pure Track Dali Version . Lamps



**LED Array**

**Lamp category:**

LED

**Socket:**

Special base

**Lamp type:**

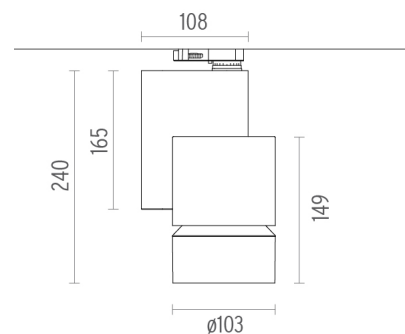
LED Array



**Solid Pure Track Dali Version**  
designed by Knud Holscher

Spotlight to be installed on 3-circuit-track with LED light source.  
Integrated power supply 220-240V / 50-60Hz.

- 09.2961.30.DA - 3694lm White
- 09.2961.14.DA - 3694lm Black



**CERTIFICATIONS**

