

SOLID PURE TRACK DALI VERSION

| | |
|--------------------------------|------------------------------------|
| Number of heads | 1 |
| Design awards | Red Dot Design Award Winner 2013 |
| Mounting | Three phase track |
| Lamps description | LED Array 23W 2231 lm 3000K CRI 90 |
| Luminaire luminous flux | See reference number |
| Voltage (V) | 220/240 |
| Environment | Indoor |

OPTICAL

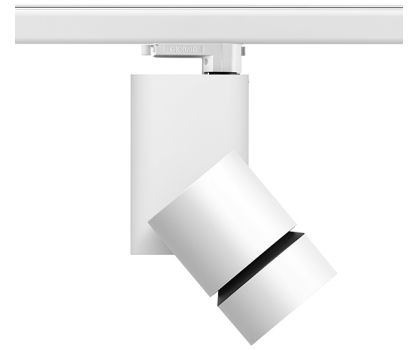
| | |
|-------------------------------------|------------------|
| Light controller description | Protection glass |
| Aiming | Adjustable |
| Light distribution symmetry | Symmetric |
| Beam angle | 10° Spot |

ELECTRICAL

| | |
|---------------------------------|--------------------------|
| Transformer availability | Included |
| Transformer mounting | Integral |
| Transformer type | Electronic dimmable dali |
| Emergency | Without |
| Insulation class | Class I |

PHYSICAL

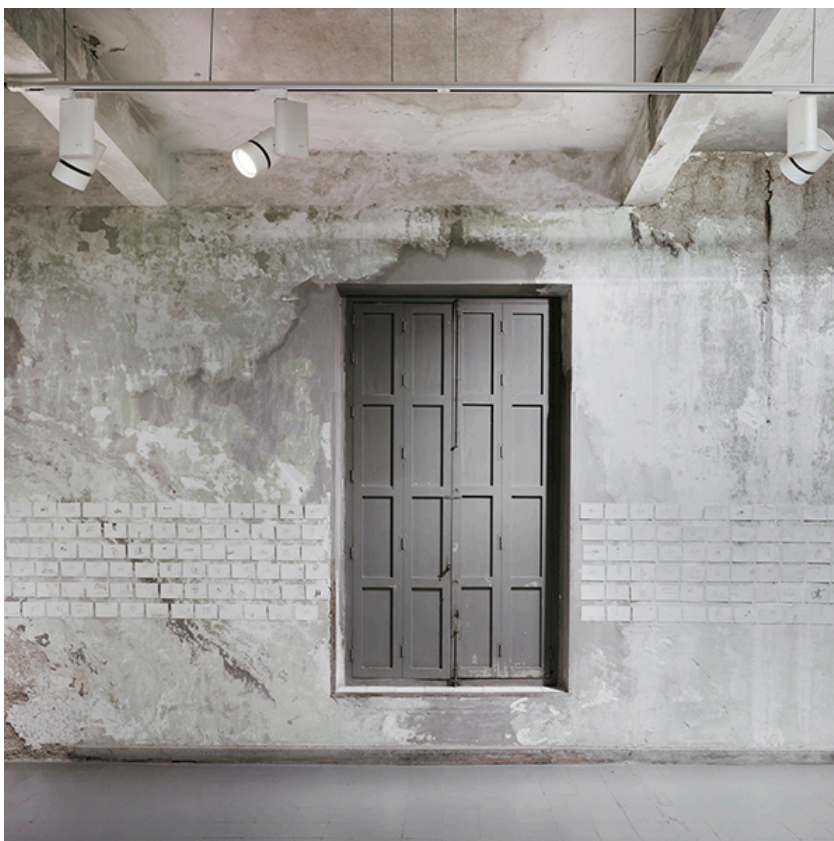
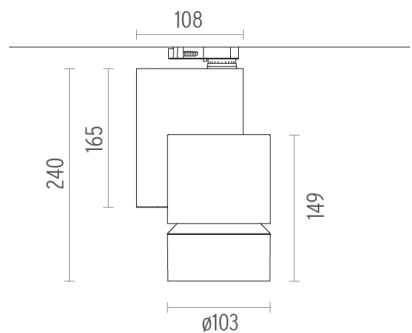
| | |
|------------------------------|-----------|
| Diameter (mm) | S/N |
| Height (mm) | 239,5 |
| Spot diameter (mm) | 103 |
| Construction material | Aluminium |
| Weight (kg) | 1,70 |



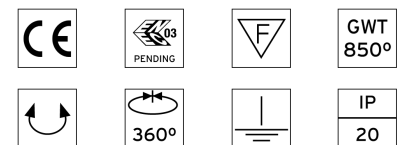
Solid Pure Track Dali Version
designed by Knud Holscher

Spotlight to be installed on 3-circuit-track with LED light source. Integrated power supply 220-240V / 50-60Hz.

- 09.2885.30.DA - 1831lm White
- 09.2885.14.DA - 1831lm Black



CERTIFICATIONS



Solid Pure Track Dali Version . Accessories

Optical



08.8768.14

Holding ring

Holding ring



08.8763.14

Honeycomb anti-glare screen

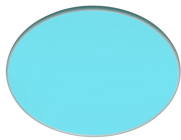
"Honeycomb" anti-glare screen: in thin, black-painted aluminium sheets.



08.8766.64.OD

Blue filter

Blue filter



08.8766.65.OD

Sky blue filter

Sky blue filter



08.8766.66.OD

Amber filter

Amber filter



08.8766.67.OD

Red filter

Red filter

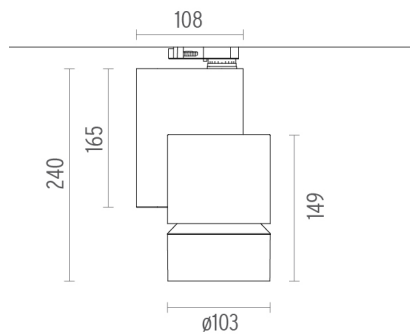


Solid Pure Track Dali Version designed by Knud Holscher

Spotlight to be installed on 3-circuit-track with LED light source. Integrated power supply 220-240V / 50-60Hz.

09.2885.30.DA - 1831lm White

09.2885.14.DA - 1831lm Black



CERTIFICATIONS



Solid Pure Track Dali Version . Lamps



LED Array

Lamp category:

LED

Socket:

Special base

Lamp type:

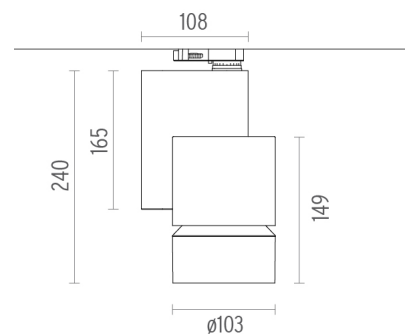
LED Array



Solid Pure Track Dali Version
designed by Knud Holscher

Spotlight to be installed on 3-circuit-track with LED light source.
Integrated power supply 220-240V / 50-60Hz.

- 09.2885.30.DA - 1831lm White
- 09.2885.14.DA - 1831lm Black



CERTIFICATIONS

