

SOLID PURE CEILING/WALL DALI VERSION

| | |
|--------------------------------|------------------------------------|
| Number of heads | 1 |
| Design awards | Red Dot Design Award Winner 2013 |
| Mounting | Ceiling surface, Wall surface |
| Lamps description | LED Array 30W 2855 lm 3000K CRI 90 |
| Luminaire luminous flux | See reference number |
| Voltage (V) | 220/240 |
| Environment | Indoor |



OPTICAL

| | |
|-------------------------------------|------------------|
| Light controller description | Protection glass |
| Aiming | Adjustable |
| Light distribution symmetry | Symmetric |
| Beam angle | 44° Flood |

Solid Pure Ceiling/Wall Dali Version
designed by Knud Holscher

Spotlight to be installed on ceiling/wall with LED light source. Integrated power supply 220-240V / 50-60Hz.

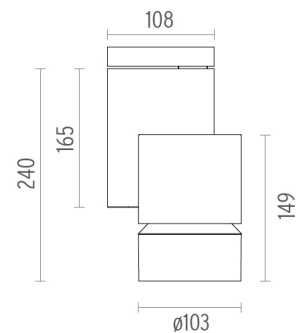
ELECTRICAL

| | |
|---------------------------------|--------------------------|
| Transformer availability | Included |
| Transformer mounting | Integral |
| Transformer type | Electronic dimmable dali |
| Emergency | Without |
| Insulation class | Class I |

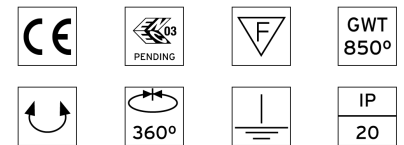
- 09.2875.30.DA - 2456lm White
- 09.2875.14.DA - 2456lm Black

PHYSICAL

| | |
|------------------------------|-----------|
| Diameter (mm) | S/N |
| Height (mm) | 239,5 |
| Spot diameter (mm) | 103 |
| Construction material | Aluminium |
| Weight (kg) | 1,90 |



CERTIFICATIONS



Solid Pure Ceiling/Wall Dali Version . Accessories

Optical



08.8768.14

Holding ring

Holding ring



● 08.8763.14

Honeycomb anti-glare screen

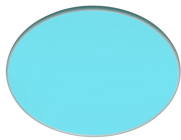
"Honeycomb" anti-glare screen: in thin, black-painted aluminium sheets.



● 08.8766.64.OD

Blue filter

Blue filter



● 08.8766.65.OD

Sky blue filter

Sky blue filter



● 08.8766.66.OD

Amber filter

Amber filter



● 08.8766.67.OD

Red filter

Red filter

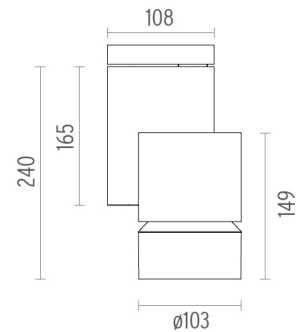


Solid Pure Ceiling/Wall Dali Version designed by Knud Holscher

Spotlight to be installed on ceiling/wall with LED light source. Integrated power supply 220-240V / 50-60Hz.

● 09.2875.30.DA - 2456lm White

● 09.2875.14.DA - 2456lm Black



CERTIFICATIONS



Solid Pure Ceiling/Wall Dali Version . Lamps



LED Array

Lamp category:

LED

Socket:

Special base

Lamp type:

LED Array

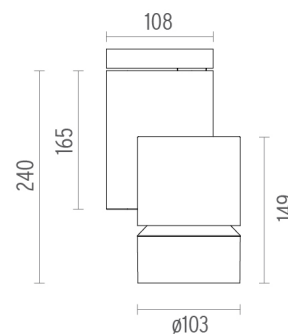


Solid Pure Ceiling/Wall Dali Version
designed by Knud Holscher

Spotlight to be installed on ceiling/wall with LED light source. Integrated power supply 220-240V / 50-60Hz.

● 09.2875.30.DA - 2456lm White

● 09.2875.14.DA - 2456lm Black



CERTIFICATIONS

