

PURE 3 DOWNLIGHT

Number of heads	1
Mounting	Ceiling recessed
Lamps description	QR-III G53 Max 100W or LED QR-III
Voltage (V)	12
Environment	Indoor
Notes	To be completed with installation frame. Available as accessory element. Must be ordered separately. Please, consult flos front office for information about LED retrofit lamps compatibility.

OPTICAL

Light controller description	Bare lamp
Aiming	Adjustable
Light distribution symmetry	Symmetric
Beam angle	24°, 25°, 36°, 45°, 6°, 8°

ELECTRICAL

Transformer availability	Separate item
Transformer mounting	Remote
Emergency	Without
Insulation class	Class III

PHYSICAL

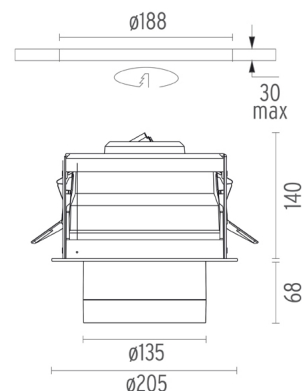
Cutout diameter (mm)	188
Spot diameter (mm)	135
Construction material	Aluminium
Weight (kg)	1,88



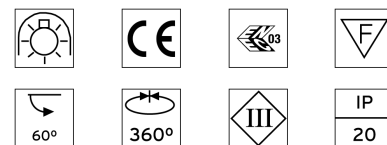
Pure 3 Downlight
designed by Knud Holscher

12V halogen lamp recessed downlight.
Remote transformer not included

● 09.1810.30	White
● 09.1810.02	Grey
● 09.1810.14	Black



CERTIFICATIONS



Pure 3 Downlight . Accessories

Optical



08.8168.14

Holding ring

Holding ring



08.8165.68

Elliptical light distribution lens

Elliptical light distribution lens in 4mm thick tempered glass.



08.8171.14

Honeycomb

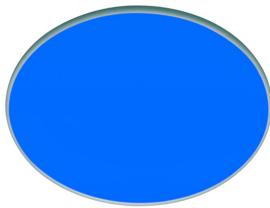
"honeycomb" anti-glare screen: in thin, blackpainted aluminium sheets.



Pure 3 Downlight designed by Knud Holscher

12V halogen lamp recessed downlight.
Remote transformer not included

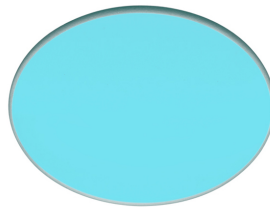
- 09.1810.30 White
- 09.1810.02 Grey
- 09.1810.14 Black



08.8162.64.OD

Blue filter

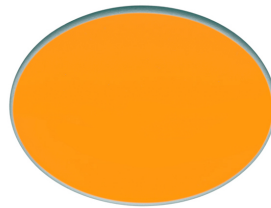
Blue filter



08.8162.65.OD

Sky blue filter

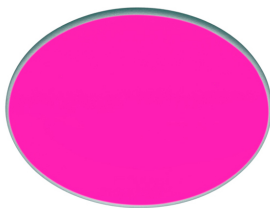
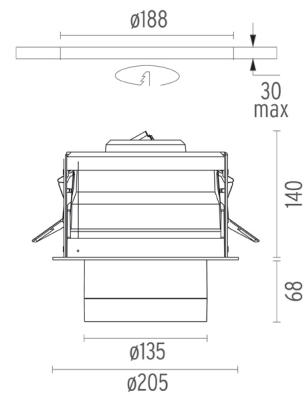
Sky blue filter



08.8162.66.OD

Amber filter

Amber filter



08.8162.67.OD

Red filter

Red filter



08.8162.98.OD

U.V. filter

U.V. filter

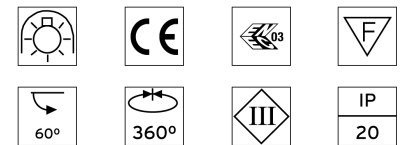


08.8162.68

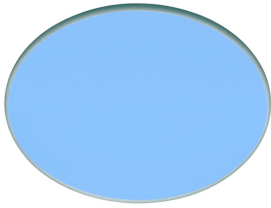
I.R. filter

I.R. filter

CERTIFICATIONS



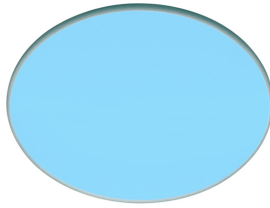
Pure 3 Downlight . Accessories



08.8162.CL

Cold light filter

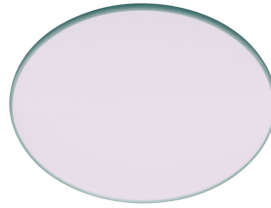
Cold light filter



08.8162.DL

Daylight filter

Daylight filter



08.8162.ND

Neodimium

Neodimium



Pure 3 Downlight designed by Knud Holscher

12V halogen lamp recessed downlight.
Remote transformer not included

- 09.1810.30 White
- 09.1810.02 Grey
- 09.1810.14 Black



08.8162.69

Hot Light

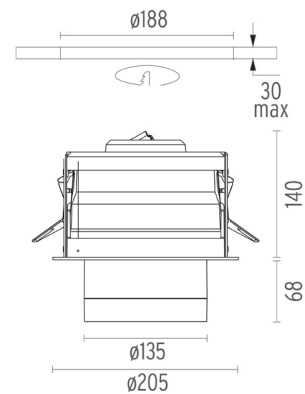
Hot Light



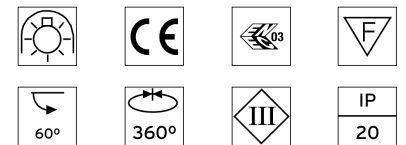
08.8177.68

Flood lens

Flood lens made in press glass.



CERTIFICATIONS



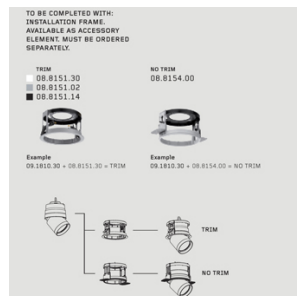
Mounting



08.8154.00

Installation Frame for No Trim

Installation frame for Pure 3
Downlight No Trim.



HOW TO ORDER



● 08.8151.30

● 08.8151.02

● 08.8151.14

Installation Frame For Trim

Installation frame for Pure 3
Downlight Trim.

Pure 3 Downlight . Lamps



60.6398

QR-III

Lamp Watt:
35 W

Lamp category:
Halogen low voltage

Socket:
G53

Lamp angle:
24 °

Color temperature (K):
3000 °K

Catalog reference:
60.6398

Lamp type:
QR-III



60.6374

QR-III

Lamp Watt:
50 W

Lamp category:
Halogen low voltage

Socket:
G53

Lamp angle:
24 °

Color temperature (K):
3000 °K

Catalog reference:
60.6374

Lamp type:
QR-III



60.6375

QR-III

Lamp Watt:
75 W

Lamp category:
Halogen low voltage

Socket:
G53

Lamp angle:
8 °

Color temperature (K):
3000 °K

Catalog reference:
60.6375

Lamp type:
QR-III



60.6376

QR-III

Lamp Watt:
75 W

Lamp category:
Halogen low voltage

Socket:
G53

Lamp angle:
24 °

Color temperature (K):
3000 °K

Catalog reference:
60.6376

Lamp type:
QR-III



60.6862

QR-III

Lamp Watt:
30 W

Lamp category:
Halogen low voltage

Socket:
G53

Lamp angle:
8 °

Color temperature (K):
3000 °K

Catalog reference:
60.6862

Lamp type:
QR-III



60.6861

QR-III

Lamp Watt:
45 W

Lamp category:
Halogen low voltage

Socket:
G53

Lamp angle:
45 °

Color temperature (K):
3000 °K

Catalog reference:
60.6861

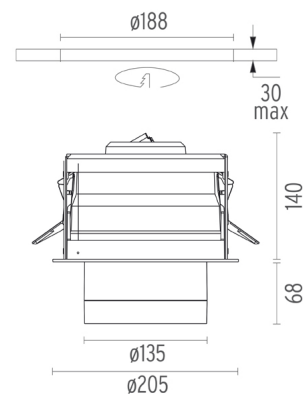
Lamp type:
QR-III



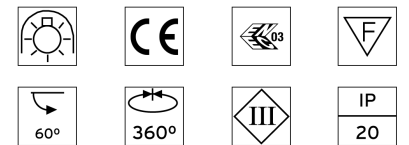
Pure 3 Downlight
designed by Knud Holscher

12V halogen lamp recessed downlight.
Remote transformer not included

- 09.1810.30 White
- 09.1810.02 Grey
- 09.1810.14 Black



CERTIFICATIONS



Pure 3 Downlight . Lamps



60.6863

QR-III

Lamp Watt:
60 W

Lamp category:
Halogen low voltage

Socket:
G53

Lamp angle:
8 °

Color temperature (K):
3000 °K

Catalog reference:
60.6863

Lamp type:
QR-III



60.6864

QR-III

Lamp Watt:
60 W

Lamp category:
Halogen low voltage

Socket:
G53

Lamp angle:
24 °

Color temperature (K):
3000 °K

Catalog reference:
60.6864

Lamp type:
QR-III



60.6962

LED QR-III

Lamp Watt:
12 W

Lamp category:
LED

Socket:
G53

Lamp angle:
24 °

Color temperature (K):
2800 °K

Catalog reference:
60.6962

Lamp type:
LED QR-III



60.6989

QR-III

Lamp Watt:
50 W

Lamp category:
Halogen low voltage

Socket:
G53

Lamp angle:
6 °

Color temperature (K):
3000 °K

Catalog reference:
60.6989

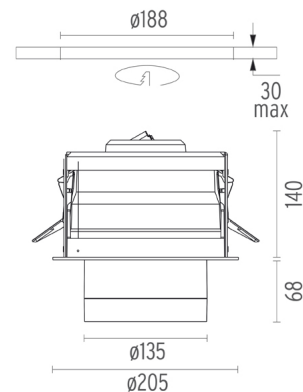
Lamp type:
QR-III



Pure 3 Downlight
designed by Knud Holscher

12V halogen lamp recessed downlight.
Remote transformer not included

- 09.1810.30 White
- 09.1810.02 Grey
- 09.1810.14 Black



CERTIFICATIONS

