

THE TRACKING MAGNET SUSPENSION UP&DOWN INTERMEDIATE PROFILE

Mounting	Pendant up & down
Lamps description	Top LED Up 6,5W/m 870 lm/m 3000K CRI 80
Luminaire luminous flux	See reference number
Voltage (V)	24
Technical description	Up: Power LED 8,4W/m 870 lm/m 3000K CRI 80
Notes	Linear tracks available in two versions: power feed profiles for connecting to a driver, and intermediate profiles. Both versions available in lengths from 1m to 3m. Profiles cannot be cut. Covers included with the power feed profiles. 3m feed cable included in all linear feed products. Suspension accessories (steel cable or rod) to be ordered separately. 90° corners in the same plane (symmetrical element for right and left corners) for the Up&Down and Down versions. Not provided for connection to the driver. The corners of hanging elements of the Tracking Magnet are not fitted with indirect lighting. Indirect illumination is controlled through a common circuit with the direct light.



The Tracking Magnet Suspension Up&Down Intermediate Profile

designed by FLOS Architectural

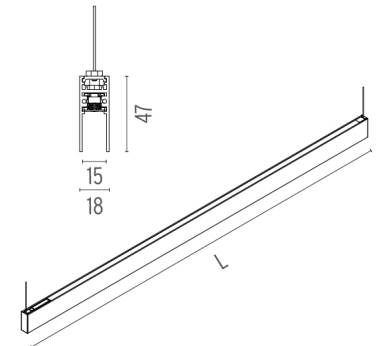
Electromechanical track for suspended installations. Linear elements in the Up&Down version include indirect LED illumination at the top of the profile. Shared power feed between up light and magnetic track.

PHYSICAL

Track length 2000



- 06.1521.40A - 975lm White
- 06.1521.05A - 975lm Chrome
- 06.1521.14A - 975lm Black



The Tracking Magnet Suspension Up&Down Intermediate Profile . Accessories

Structural



- 08.8891.14A
- 08.8891.40A
- 08.8891.05A

Endcap. 2 unit kit

Endcaps come complete with all the power supply elements. These should only be ordered separately if the installation is exclusively composed of intermediate elements.



The Tracking Magnet Suspension Up&Down Intermediate Profile

designed by FLOS Architectural

Electromechanical track for suspended installations. Linear elements in the Up&Down version include indirect LED illumination at the top of the profile. Shared power feed between up light and magnetic track.

- 06.1521.40A - 975lm White
- 06.1521.05A - 975lm Chrome
- 06.1521.14A - 975lm Black

Mounting



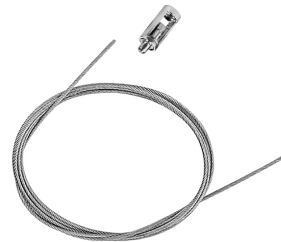
- 60.3014.11
- 60.3014.14

Suspension rod with 1m rose. M6 thread



- 60.3097.11
- 60.3097.14

1-m suspension rod with ceiling rose with m6 thread



- 08.8634.00

4m suspension steel cable

Steel cable, recommended if a corner is included in the light structure, where tilting will not occur in any case

