

BATTERY TRIM SMALL 2L

Number of heads	2
Mounting	Ceiling recessed
Lamps description	2 x LED Array DC 700 mA 20W 2290 lm 3000K CRI 80
Luminaire luminous flux	Extreme Cut-off. See reference number
Environment	Indoor

OPTICAL

Reflector finish	Aluminum
Aiming	Adjustable
Light distribution symmetry	Symmetric
Beam angle	44° Wide Flood

ELECTRICAL

Transformer availability	Separate item
Transformer mounting	Remote
Transformer type	Electronic, Electronic dimmable, Electronic dimmable I-10V, Electronic dimmable dali
Emergency	Without
Insulation class	Class III

PHYSICAL

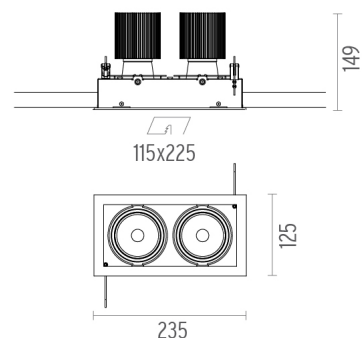
Recessed depth (mm)	149
Construction material	Aluminium
Weight (kg)	1,24



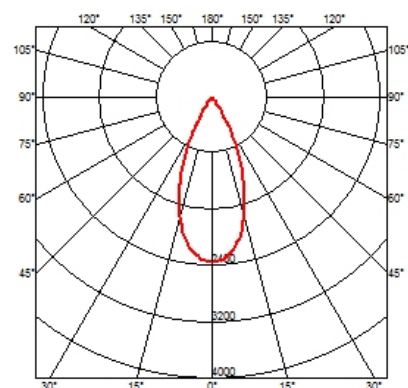
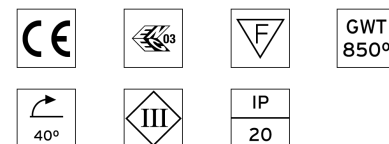
Battery Trim Small 2L
designed by F.A. Porsche

Embedded luminaire with multiple optic bodies for LED light source. Power supply not included. Requires one power supply for each optic body.

- 04.6476.20A - 2x1222lm Matt white
- 04.6476.08A - 2x1222lm Mercury
- 04.6476.14A - 2x1222lm Matt black



CERTIFICATIONS



Battery Trim Small 2L . Accessories

Optical



● 08.8495.14

Honeycomb

"Honeycomb" anti-glare screen: in thin, black-painted aluminium sheets.



● 08.8503.64.OD

BLUE FILTER

Colored filters in 3 mm dichroic material



● 08.8503.65.OD

SKY BLUE FILTER

Colored filters in 3 mm dichroic material



● 08.8503.66.OD

AMBER FILTER

Colored filters in 3 mm dichroic material



● 08.8503.67.OD

RED FILTER

Colored filters in 3 mm dichroic material



08.8503.69

HOT LIGHT

Colored filters in 3 mm dichroic material



08.8503.CL

COLD LIGHT

Colored filters in 3 mm dichroic material



08.8503.DL

DAYLIGHT

Colored filters in 3 mm dichroic material



08.8503.ND

NEODIMIUM

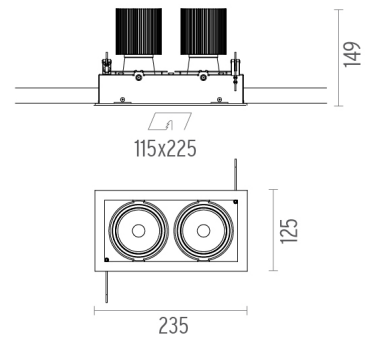
Colored filters in 3 mm dichroic material



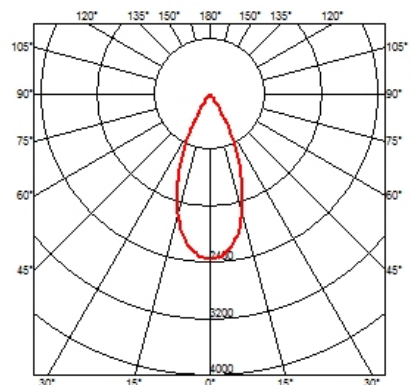
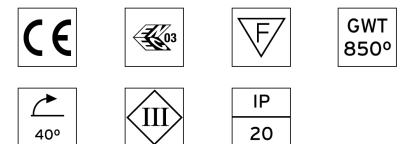
Battery Trim Small 2L
designed by F.A. Porsche

Embedded luminaire with multiple optic bodies for LED light source. Power supply not included. Requires one power supply for each optic body.

- 04.6476.20A - 2x1222lm Matt white
- 04.6476.08A - 2x1222lm Mercury
- 04.6476.14A - 2x1222lm Matt black



CERTIFICATIONS



Battery Trim Small 2L . Accessories

Power Supply



60.8534

Constant Current Power Supply for LED. 32W

Continuous current power supply of 32W, 230/240V - 50/60Hz with power current selected through adjustable 350/500/700 mA switch by trailing and leading edge dimming or push dimming.

Maximum length of 1.5 mm² secondary conductor (m): 10

Maximum length of 2.5 mm² secondary conductor (m): 15



60.9073

Continuous current power supply of 13-42W

Continuous current power supply of 13-42W, 220/240V - 50/60Hz with power current selected through adjustable 300/350/400/450/500/550/600/650/700/750/800/850/900/950/1000/1050 mA.

Maximum length of 1.5 mm² secondary conductor (m): 10

Maximum length of 2.5 mm² secondary conductor (m): 15



60.8533

Constant Current Power Supply for LED. 25W

Continuous current power supply of 25W, 120-240V - 50/60Hz with power current selected through adjustable 350/500/700mA 1-10V switch or push dimming.

Maximum length of 1.5 mm² secondary conductor (m): 10

Maximum length of 2.5 mm² secondary conductor (m): 15



60.8530

Constant Current Power Supply for LED. 25-50W

Continuous current power supply of 25-50W, 220/240V - 50/60Hz with power current selected through adjustable 350/500/550/650/700/750/850/900/1050mA Dali switch, 1-10V switch or push dimming.

Maximum length of 1.5 mm² secondary conductor (m): 10

Maximum length of 2.5 mm² secondary conductor (m): 15



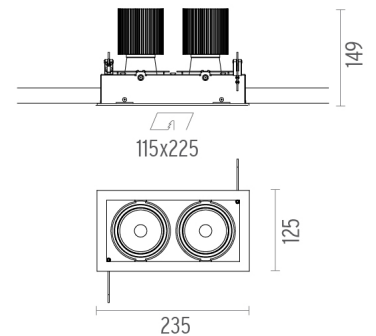
Battery Trim Small 2L designed by F.A. Porsche

Embedded luminaire with multiple optic bodies for LED light source. Power supply not included. Requires one power supply for each optic body.

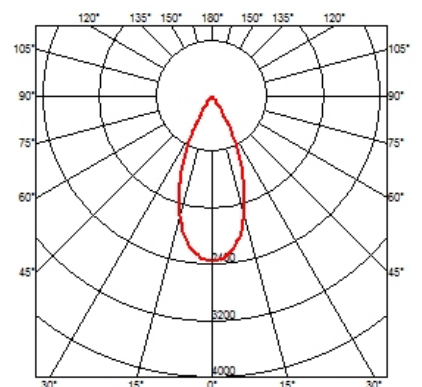
04.6476.20A - 2x1222lm Matt white

04.6476.08A - 2x1222lm Mercury

04.6476.14A - 2x1222lm Matt black



CERTIFICATIONS



Battery Trim Small 2L . Lamps



LED Array

Lamp category:

LED

Socket:

Special base

Lamp type:

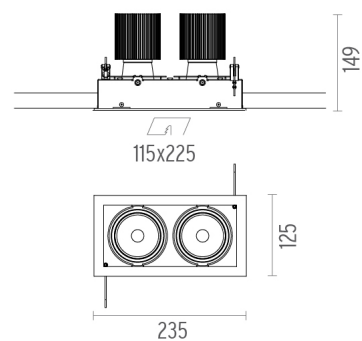
LED Array



Battery Trim Small 2L
designed by F.A. Porsche

Embedded luminaire with multiple optic bodies for LED light source. Power supply not included. Requires one power supply for each optic body.

- 04.6476.20A - 2x1222lm Matt white
- 04.6476.08A - 2x1222lm Mercury
- 04.6476.14A - 2x1222lm Matt black



CERTIFICATIONS

