

## MICRO BATTERY ASYMMETRIC 2L

<b>Number of heads</b>	2
<b>Mounting</b>	Ceiling recessed
<b>Lamps description</b>	2 x PAR 16 GZ10 Max 50W or 2 x LED PAR 16 GZ10 4W
<b>Voltage (V)</b>	220/240
<b>Environment</b>	Indoor

### OPTICAL

<b>Light controller description</b>	Bare lamps
<b>Aiming</b>	Adjustable
<b>Light distribution symmetry</b>	Asymmetric
<b>Beam angle</b>	25°, 35°, 40°, 50°

### ELECTRICAL

<b>Emergency</b>	Without
<b>Insulation class</b>	Class II

### PHYSICAL

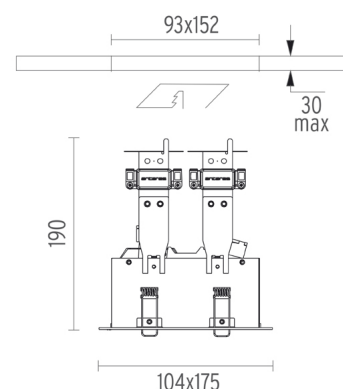
<b>Cutout length (mm)</b>	152
<b>Cutout width (mm)</b>	93
<b>Recessed depth (mm)</b>	190
<b>Construction material</b>	Die-cast aluminum
<b>Weight (kg)</b>	0,74



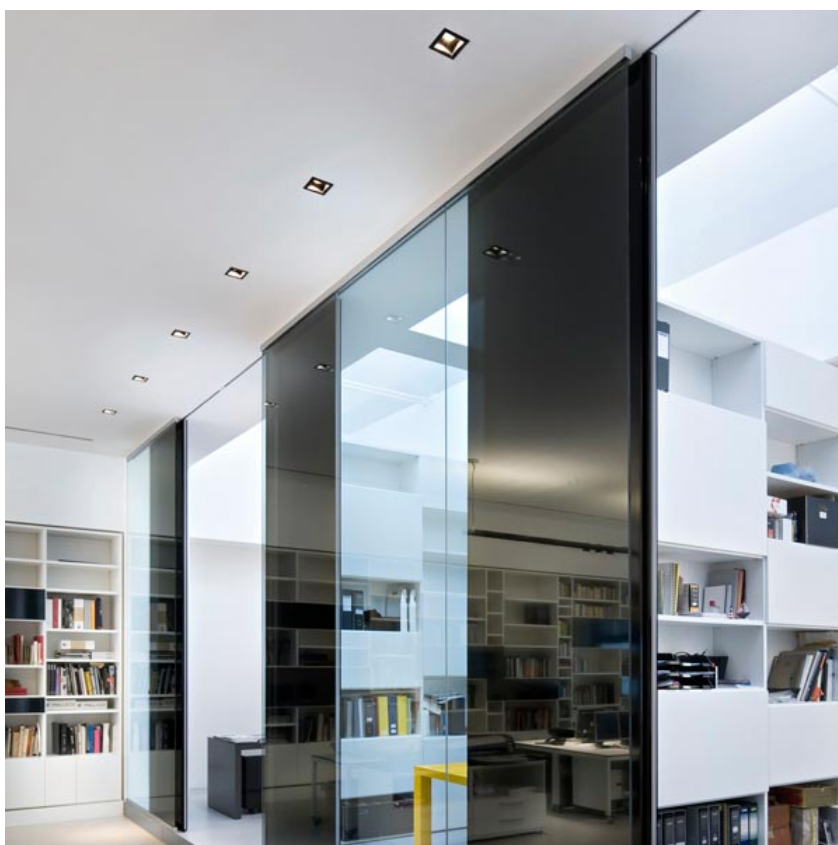
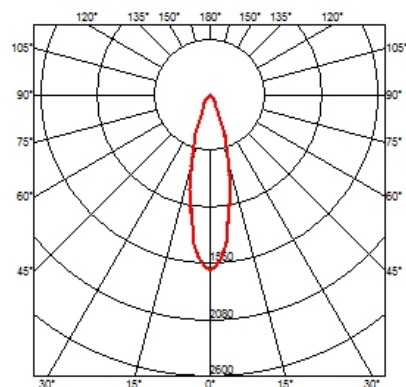
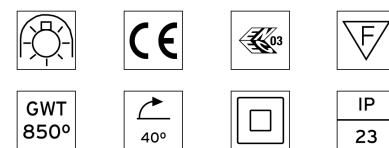
**Micro Battery Asymmetric 2L**  
designed by F.A. Porsche

Recessed downlight with main voltage source

● 04.6309.20	Matt white
● 04.6309.08	Mercury
● 04.6309.14	Matt black



### CERTIFICATIONS



## Micro Battery Asymmetric 2L . Accessories

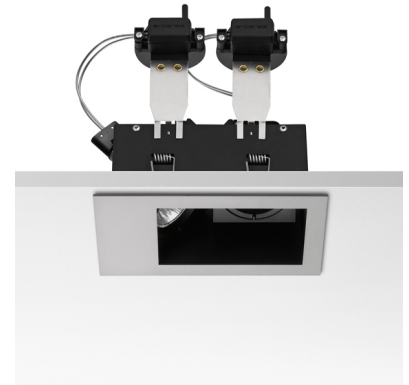
### Optical



08.8270.14

#### Honeycomb

Anti-glare cylinder. Cut-off 40°. Not compatible with LED versions.



**Micro Battery Asymmetric 2L**  
designed by F.A. Porsche

Recessed downlight with main voltage source

- 04.6309.20 Matt white
- 04.6309.08 Mercury
- 04.6309.14 Matt black

## Micro Battery Asymmetric 2L . Lamps



60.6365

#### PAR 16

**Lamp Watt:**  
50 W

**Lamp category:**  
Halogen mains

**Socket:**  
GU10

**Lamp angle:**  
35 °

**Color temperature (K):**  
2900 °K

**Catalog reference:**  
60.6365

**Lamp type:**  
PAR 16



60.6396

#### PAR 16

**Lamp Watt:**  
50 W

**Lamp category:**  
Halogen mains

**Socket:**  
GU10

**Lamp angle:**  
50 °

**Color temperature (K):**  
2900 °K

**Catalog reference:**  
60.6396

**Lamp type:**  
PAR 16



60.6693

#### LED PAR 16

**Lamp Watt:**  
4 W

**Lamp category:**  
LED

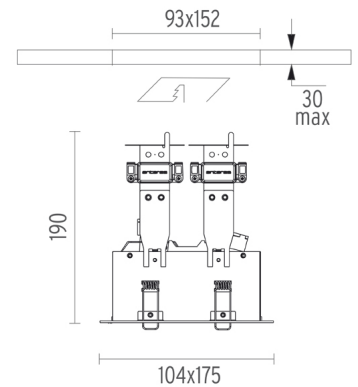
**Socket:**  
GU10

**Lamp angle:**  
25 °

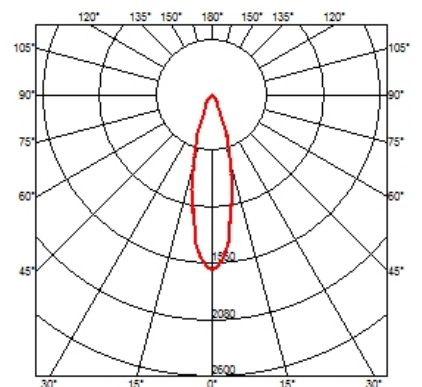
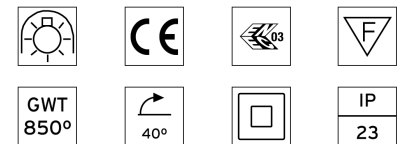
**Color temperature (K):**  
2700 °K

**Catalog reference:**  
60.6693

**Lamp type:**  
LED PAR 16



### CERTIFICATIONS



## Micro Battery Asymmetric 2L . Lamps



60.6694

**LED PAR 16**

**Lamp Watt:**  
4 W

**Lamp category:**  
LED

**Socket:**  
GU10

**Lamp angle:**  
40 °

**Color temperature (K):**  
2700 °K

**Catalog reference:**  
60.6694

**Lamp type:**  
LED PAR 16



60.6695

**LED PAR 16**

**Lamp Watt:**  
4 W

**Lamp category:**  
LED

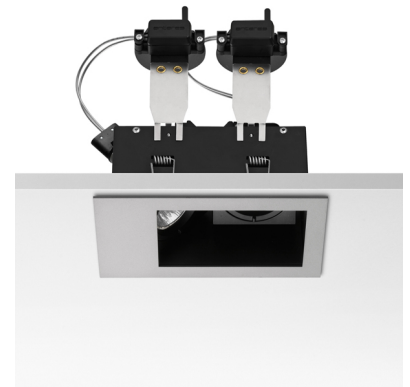
**Socket:**  
GU10

**Lamp angle:**  
25 °

**Color temperature (K):**  
3000 °K

**Catalog reference:**  
60.6695

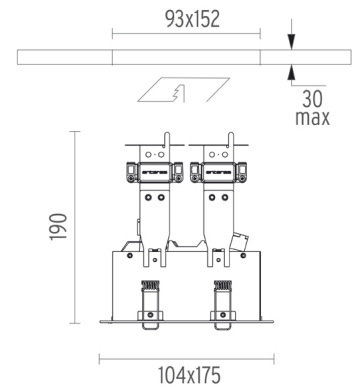
**Lamp type:**  
LED PAR 16



**Micro Battery Asymmetric 2L**  
designed by F.A. Porsche

Recessed downlight with main voltage source

- 04.6309.20 Matt white
- 04.6309.08 Mercury
- 04.6309.14 Matt black



### CERTIFICATIONS

