

MICRO BATTERY ASYMMETRIC II L

Number of heads	1
Mounting	Ceiling recessed
Lamps description	QR-CBC 5I GX5.3 Max 50W or LED QR-CBC 5I GX5.3 7/10W
Voltage (V)	12
Environment	Indoor

OPTICAL

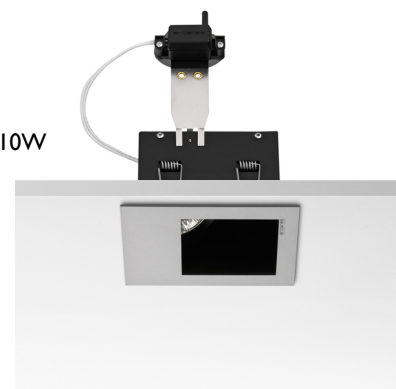
Light controller description	Bare lamps
Aiming	Adjustable
Light distribution symmetry	Asymmetric
Beam angle	10°, 24°, 25°, 36°, 38°, 60°

ELECTRICAL

Transformer availability	Separate item
Transformer mounting	Remote
Transformer type	Electronic, Electronic dimmable
Emergency	Without
Insulation class	Class III

PHYSICAL

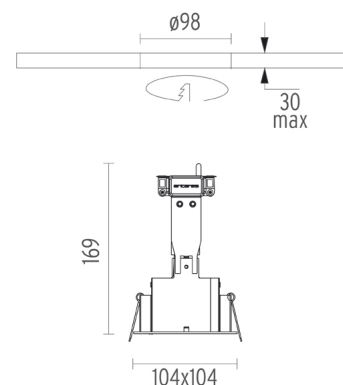
Cutout length (mm)	110
Cutout width (mm)	93
Recessed depth (mm)	165
Construction material	Die-cast aluminum
Weight (kg)	0,46



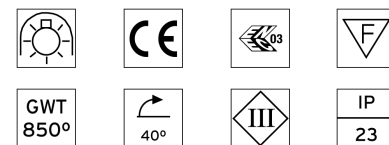
Micro Battery Asymmetric II L
designed by F.A. Porsche

12V halogen lamp recessed downlight.
Remote transformer not included

● 04.6303.20	Matt white
● 04.6303.08	Mercury
● 04.6303.14	Matt black



CERTIFICATIONS



Micro Battery Asymmetric IL . Accessories

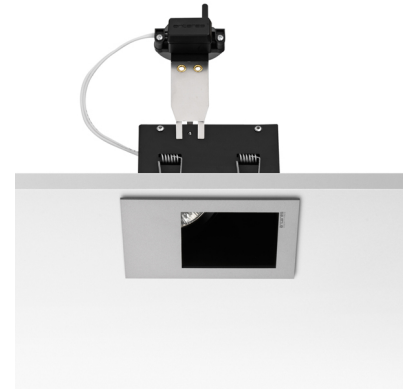
Optical



08.8270.14

Honeycomb

Anti-glare cylinder. Cut-off 40°. Not compatible with LED versions.



Micro Battery Asymmetric IL
designed by F.A. Porsche

12V halogen lamp recessed downlight.
Remote transformer not included

- 04.6303.20 Matt white
- 04.6303.08 Mercury
- 04.6303.14 Matt black

Micro Battery Asymmetric IL . Lamps



60.6392

QR-CBC 51

Lamp Watt:
20 W

Lamp category:
Halogen low voltage

Socket:
GX5.3

Lamp angle:
10 °

Color temperature (K):
3000 °K

Catalog reference:
60.6392

Lamp type:
QR-CBC 51



60.6359

QR-CBC 51

Lamp Watt:
50 W

Lamp category:
Halogen low voltage

Socket:
GX5.3

Lamp angle:
24 °

Color temperature (K):
3000 °K

Catalog reference:
60.6359

Lamp type:
QR-CBC 51



60.6360

QR-CBC 51

Lamp Watt:
50 W

Lamp category:
Halogen low voltage

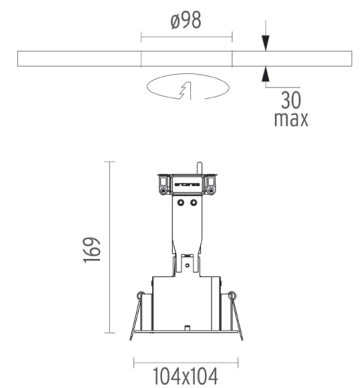
Socket:
GX5.3

Lamp angle:
38 °

Color temperature (K):
3000 °K

Catalog reference:
60.6360

Lamp type:
QR-CBC 51



CERTIFICATIONS



Micro Battery Asymmetric IL . Lamps



60.6361

QR-CBC 51

Lamp Watt:
50 W

Lamp category:
Halogen low voltage

Socket:
GX5.3

Lamp angle:
60 °

Color temperature (K):
3000 °K

Catalog reference:
60.6361

Lamp type:
QR-CBC 51



60.6393

QR-CBC 51

Lamp Watt:
20 W

Lamp category:
Halogen low voltage

Socket:
GX5.3

Lamp angle:
24 °

Color temperature (K):
3000 °K

Catalog reference:
60.6393

Lamp type:
QR-CBC 51



60.6394

QR-CBC 51

Lamp Watt:
20 W

Lamp category:
Halogen low voltage

Socket:
GX5.3

Lamp angle:
38 °

Color temperature (K):
3000 °K

Catalog reference:
60.6394

Lamp type:
QR-CBC 51



60.6395

QR-CBC 51

Lamp Watt:
20 W

Lamp category:
Halogen low voltage

Socket:
GX5.3

Lamp angle:
60 °

Color temperature (K):
3000 °K

Catalog reference:
60.6395

Lamp type:
QR-CBC 51



60.6355

QR-CBC 51

Lamp Watt:
35 W

Lamp category:
Halogen low voltage

Socket:
GX5.3

Lamp angle:
24 °

Color temperature (K):
3000 °K

Catalog reference:
60.6355

Lamp type:
QR-CBC 51



60.6356

QR-CBC 51

Lamp Watt:
35 W

Lamp category:
Halogen low voltage

Socket:
GX5.3

Lamp angle:
38 °

Color temperature (K):
3000 °K

Catalog reference:
60.6356

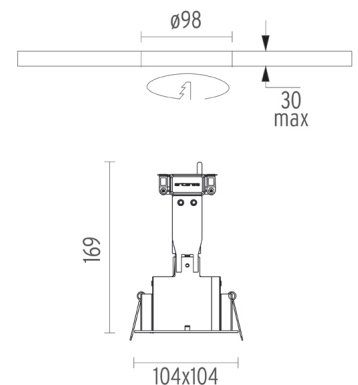
Lamp type:
QR-CBC 51



Micro Battery Asymmetric IL
designed by F.A. Porsche

12V halogen lamp recessed downlight.
Remote transformer not included

- 04.6303.20 Matt white
- 04.6303.08 Mercury
- 04.6303.14 Matt black



CERTIFICATIONS



Micro Battery Asymmetric IL . Lamps



60.6357

QR-CBC 51

Lamp Watt:
35 W

Lamp category:
Halogen low voltage

Socket:
GX5.3

Lamp angle:
60 °

Color temperature (K):
3000 °K

Catalog reference:
60.6357

Lamp type:
QR-CBC 51



BU19

QR-CBC 51

Lamp Watt:
20 W

Lamp category:
Halogen low voltage

Socket:
GX5.3

Lamp angle:
38 °

Color temperature (K):
3000 °K

Catalog reference:
BU19

Lamp type:
QR-CBC 51



BU20

QR-CBC 51

Lamp Watt:
35 W

Lamp category:
Halogen low voltage

Socket:
GX5.3

Lamp angle:
38 °

Color temperature (K):
3000 °K

Catalog reference:
BU20

Lamp type:
QR-CBC 51



BU21

QR-CBC 51

Lamp Watt:
50 W

Lamp category:
Halogen low voltage

Socket:
GX5.3

Lamp angle:
60 °

Color temperature (K):
3000 °K

Catalog reference:
BU21

Lamp type:
QR-CBC 51



60.6891

LED QR-CBC 51

Lamp Watt:
8 W

Lamp category:
LED

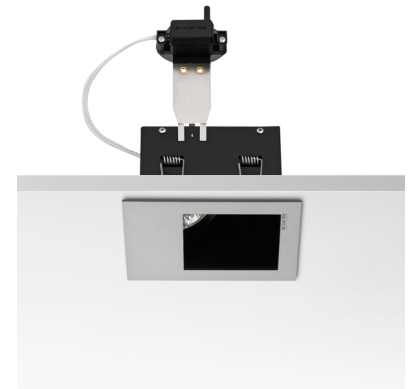
Socket:
GX5.3

Lamp angle:
24 °

Color temperature (K):
3000 °K

Catalog reference:
60.6891

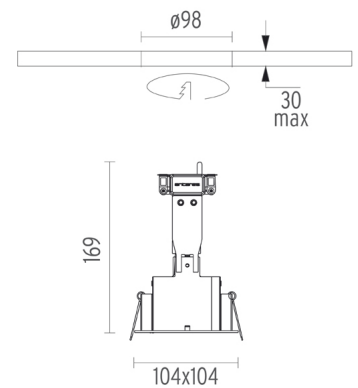
Lamp type:
LED QR-CBC 51



Micro Battery Asymmetric IL
designed by F.A. Porsche

12V halogen lamp recessed downlight.
Remote transformer not included

- 04.6303.20 Matt white
- 04.6303.08 Mercury
- 04.6303.14 Matt black



CERTIFICATIONS

