

MICRO BATTERY FIXED

Number of heads	1
Mounting	Ceiling recessed
Lamps description	QR-CBC 5I GX5.3 Max 50W or LED QR-CBC 5I GX5.3 7/10W
Voltage (V)	12
Environment	Indoor

OPTICAL

Light controller description	Bare lamps
Aiming	Fixed
Light distribution symmetry	Symmetric
Beam angle	10°, 24°, 25°, 36°, 38°, 60°

ELECTRICAL

Transformer availability	Separate item
Transformer mounting	Remote
Transformer type	Electronic, Electronic dimmable
Emergency	Without
Insulation class	Class III

PHYSICAL

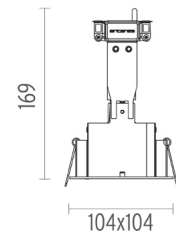
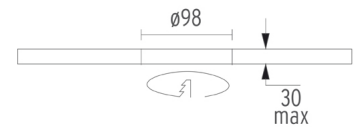
Recessed depth (mm)	169
Construction material	Die-cast aluminum
Weight (kg)	0,33



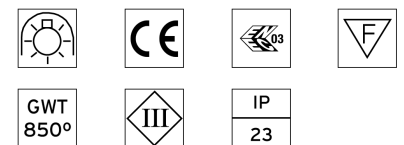
Micro Battery Fixed
designed by F.A. Porsche

12V halogen lamp recessed downlight.
Remote transformer not included

● 04.6301.20	Matt white
● 04.6301.08	Mercury
● 04.6301.14	Matt black



CERTIFICATIONS



Micro Battery Fixed . Accessories

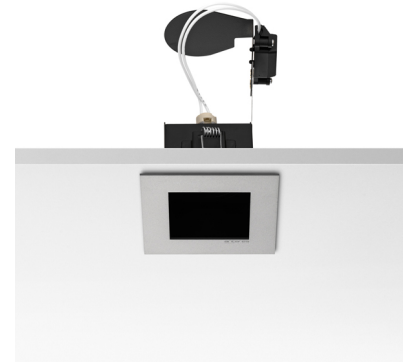
Optical



08.8270.14

Honeycomb

Anti-glare cylinder. Cut-off 40°. Not compatible with LED versions.



Micro Battery Fixed designed by F.A. Porsche

12V halogen lamp recessed downlight. Remote transformer not included

- 04.6301.20 Matt white
- 04.6301.08 Mercury
- 04.6301.14 Matt black

Micro Battery Fixed . Lamps



60.6392

QR-CBC 51

Lamp Watt:
20 W

Lamp category:
Halogen low voltage

Socket:
GX5.3

Lamp angle:
10 °

Color temperature (K):
3000 °K

Catalog reference:
60.6392

Lamp type:
QR-CBC 51



60.6359

QR-CBC 51

Lamp Watt:
50 W

Lamp category:
Halogen low voltage

Socket:
GX5.3

Lamp angle:
24 °

Color temperature (K):
3000 °K

Catalog reference:
60.6359

Lamp type:
QR-CBC 51



60.6360

QR-CBC 51

Lamp Watt:
50 W

Lamp category:
Halogen low voltage

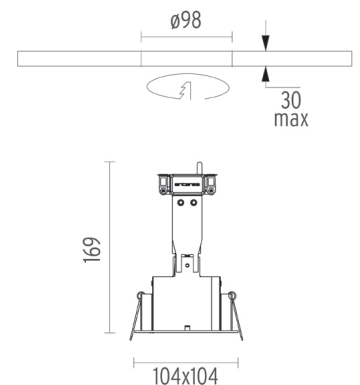
Socket:
GX5.3

Lamp angle:
38 °

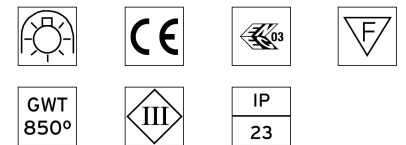
Color temperature (K):
3000 °K

Catalog reference:
60.6360

Lamp type:
QR-CBC 51



CERTIFICATIONS



Micro Battery Fixed . Lamps



60.6361
QR-CBC 51
Lamp Watt:
 50 W
Lamp category:
 Halogen low voltage
Socket:
 GX5.3
Lamp angle:
 60 °
Color temperature (K):
 3000 °K
Catalog reference:
 60.6361
Lamp type:
 QR-CBC 51



60.6393
QR-CBC 51
Lamp Watt:
 20 W
Lamp category:
 Halogen low voltage
Socket:
 GX5.3
Lamp angle:
 24 °
Color temperature (K):
 3000 °K
Catalog reference:
 60.6393
Lamp type:
 QR-CBC 51



60.6394
QR-CBC 51
Lamp Watt:
 20 W
Lamp category:
 Halogen low voltage
Socket:
 GX5.3
Lamp angle:
 38 °
Color temperature (K):
 3000 °K
Catalog reference:
 60.6394
Lamp type:
 QR-CBC 51



60.6395
QR-CBC 51
Lamp Watt:
 20 W
Lamp category:
 Halogen low voltage
Socket:
 GX5.3
Lamp angle:
 60 °
Color temperature (K):
 3000 °K
Catalog reference:
 60.6395
Lamp type:
 QR-CBC 51



60.6355
QR-CBC 51
Lamp Watt:
 35 W
Lamp category:
 Halogen low voltage
Socket:
 GX5.3
Lamp angle:
 24 °
Color temperature (K):
 3000 °K
Catalog reference:
 60.6355
Lamp type:
 QR-CBC 51



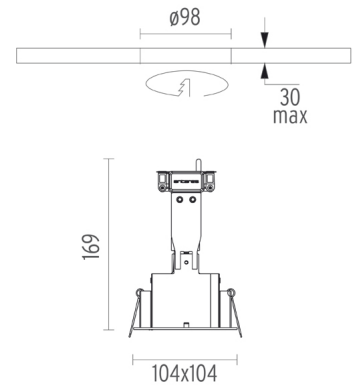
60.6356
QR-CBC 51
Lamp Watt:
 35 W
Lamp category:
 Halogen low voltage
Socket:
 GX5.3
Lamp angle:
 38 °
Color temperature (K):
 3000 °K
Catalog reference:
 60.6356
Lamp type:
 QR-CBC 51



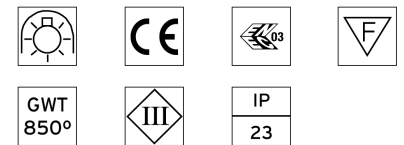
Micro Battery Fixed
 designed by F.A. Porsche

12V halogen lamp recessed downlight.
 Remote transformer not included

- 04.6301.20 Matt white
- 04.6301.08 Mercury
- 04.6301.14 Matt black



CERTIFICATIONS



Micro Battery Fixed . Lamps



60.6357

QR-CBC 51

Lamp Watt:
35 W

Lamp category:
Halogen low voltage

Socket:
GX5.3

Lamp angle:
60 °

Color temperature (K):
3000 °K

Catalog reference:
60.6357

Lamp type:
QR-CBC 51



BU19

QR-CBC 51

Lamp Watt:
20 W

Lamp category:
Halogen low voltage

Socket:
GX5.3

Lamp angle:
38 °

Color temperature (K):
3000 °K

Catalog reference:
BU19

Lamp type:
QR-CBC 51



BU20

QR-CBC 51

Lamp Watt:
35 W

Lamp category:
Halogen low voltage

Socket:
GX5.3

Lamp angle:
38 °

Color temperature (K):
3000 °K

Catalog reference:
BU20

Lamp type:
QR-CBC 51



BU21

QR-CBC 51

Lamp Watt:
50 W

Lamp category:
Halogen low voltage

Socket:
GX5.3

Lamp angle:
60 °

Color temperature (K):
3000 °K

Catalog reference:
BU21

Lamp type:
QR-CBC 51



60.6891

LED QR-CBC 51

Lamp Watt:
8 W

Lamp category:
LED

Socket:
GX5.3

Lamp angle:
24 °

Color temperature (K):
3000 °K

Catalog reference:
60.6891

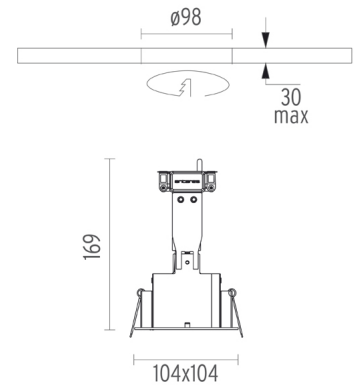
Lamp type:
LED QR-CBC 51



Micro Battery Fixed
designed by F.A. Porsche

12V halogen lamp recessed downlight.
Remote transformer not included

- 04.6301.20 Matt white
- 04.6301.08 Mercury
- 04.6301.14 Matt black



CERTIFICATIONS

