

MICRO BATTERY FIXED OPAL GLASS

Number of heads	1
Mounting	Ceiling recessed
Lamps description	QR-CBC 5I GX5.3 Max 50W
Voltage (V)	12
Environment	Indoor

OPTICAL

Light controller description	Protection glass
Aiming	Fixed
Light distribution symmetry	Symmetric
Beam angle	10°, 24°, 36°, 38°, 60°

ELECTRICAL

Transformer availability	Separate item
Transformer mounting	Remote
Transformer type	Electronic, Electronic dimmable
Emergency	Without
Insulation class	Class III

PHYSICAL

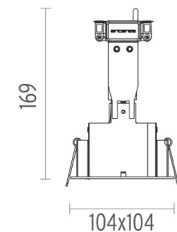
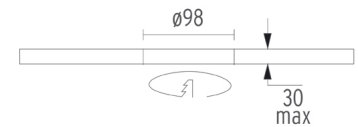
Cutout diameter (mm)	98
Recessed depth (mm)	169
Construction material	Die-cast aluminum
Weight (kg)	0,37



Micro Battery Fixed Opal Glass
designed by F.A. Porsche

12V halogen lamp recessed downlight.
Remote transformer not included

● 04.6300.20	Matt white
● 04.6300.08	Mercury
● 04.6300.14	Matt black



CERTIFICATIONS



Micro Battery Fixed Opal Glass . Accessories

Optical



08.8270.14

Honeycomb

Anti-glare cylinder. Cut-off 40°. Not compatible with LED versions.



Micro Battery Fixed Opal Glass
designed by F.A. Porsche

12V halogen lamp recessed downlight.
Remote transformer not included

- 04.6300.20 Matt white
- 04.6300.08 Mercury
- 04.6300.14 Matt black

Micro Battery Fixed Opal Glass . Lamps



60.6392

QR-CBC 51

Lamp Watt:
20 W

Lamp category:
Halogen low voltage

Socket:
GX5.3

Lamp angle:
10 °

Color temperature (K):
3000 °K

Catalog reference:
60.6392

Lamp type:
QR-CBC 51



60.6359

QR-CBC 51

Lamp Watt:
50 W

Lamp category:
Halogen low voltage

Socket:
GX5.3

Lamp angle:
24 °

Color temperature (K):
3000 °K

Catalog reference:
60.6359

Lamp type:
QR-CBC 51



60.6360

QR-CBC 51

Lamp Watt:
50 W

Lamp category:
Halogen low voltage

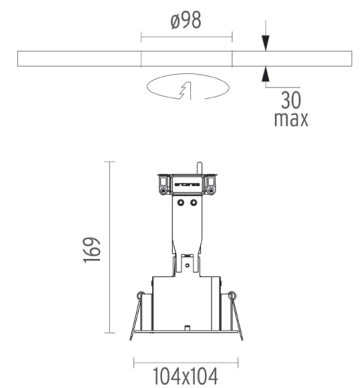
Socket:
GX5.3

Lamp angle:
38 °

Color temperature (K):
3000 °K

Catalog reference:
60.6360

Lamp type:
QR-CBC 51



CERTIFICATIONS



Micro Battery Fixed Opal Glass . Lamps



60.6361
QR-CBC 51
Lamp Watt:
 50 W
Lamp category:
 Halogen low voltage
Socket:
 GX5.3
Lamp angle:
 60 °
Color temperature (K):
 3000 °K
Catalog reference:
 60.6361
Lamp type:
 QR-CBC 51



60.6393
QR-CBC 51
Lamp Watt:
 20 W
Lamp category:
 Halogen low voltage
Socket:
 GX5.3
Lamp angle:
 24 °
Color temperature (K):
 3000 °K
Catalog reference:
 60.6393
Lamp type:
 QR-CBC 51



60.6394
QR-CBC 51
Lamp Watt:
 20 W
Lamp category:
 Halogen low voltage
Socket:
 GX5.3
Lamp angle:
 38 °
Color temperature (K):
 3000 °K
Catalog reference:
 60.6394
Lamp type:
 QR-CBC 51



60.6395
QR-CBC 51
Lamp Watt:
 20 W
Lamp category:
 Halogen low voltage
Socket:
 GX5.3
Lamp angle:
 60 °
Color temperature (K):
 3000 °K
Catalog reference:
 60.6395
Lamp type:
 QR-CBC 51



60.6355
QR-CBC 51
Lamp Watt:
 35 W
Lamp category:
 Halogen low voltage
Socket:
 GX5.3
Lamp angle:
 24 °
Color temperature (K):
 3000 °K
Catalog reference:
 60.6355
Lamp type:
 QR-CBC 51



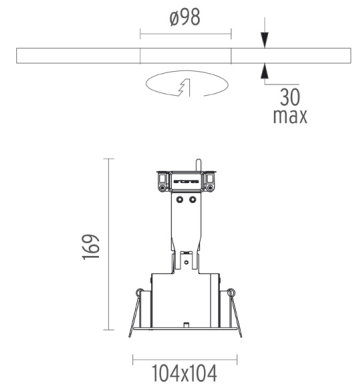
60.6356
QR-CBC 51
Lamp Watt:
 35 W
Lamp category:
 Halogen low voltage
Socket:
 GX5.3
Lamp angle:
 38 °
Color temperature (K):
 3000 °K
Catalog reference:
 60.6356
Lamp type:
 QR-CBC 51



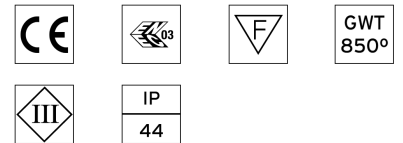
Micro Battery Fixed Opal Glass
 designed by F.A. Porsche

12V halogen lamp recessed downlight.
 Remote transformer not included

- 04.6300.20 Matt white
- 04.6300.08 Mercury
- 04.6300.14 Matt black



CERTIFICATIONS



Micro Battery Fixed Opal Glass . Lamps



60.6357

QR-CBC 51

Lamp Watt:
35 W

Lamp category:
Halogen low voltage

Socket:
GX5.3

Lamp angle:
60 °

Color temperature (K):
3000 °K

Catalog reference:
60.6357

Lamp type:
QR-CBC 51



BU19

QR-CBC 51

Lamp Watt:
20 W

Lamp category:
Halogen low voltage

Socket:
GX5.3

Lamp angle:
38 °

Color temperature (K):
3000 °K

Catalog reference:
BU19

Lamp type:
QR-CBC 51



BU20

QR-CBC 51

Lamp Watt:
35 W

Lamp category:
Halogen low voltage

Socket:
GX5.3

Lamp angle:
38 °

Color temperature (K):
3000 °K

Catalog reference:
BU20

Lamp type:
QR-CBC 51



BU21

QR-CBC 51

Lamp Watt:
50 W

Lamp category:
Halogen low voltage

Socket:
GX5.3

Lamp angle:
60 °

Color temperature (K):
3000 °K

Catalog reference:
BU21

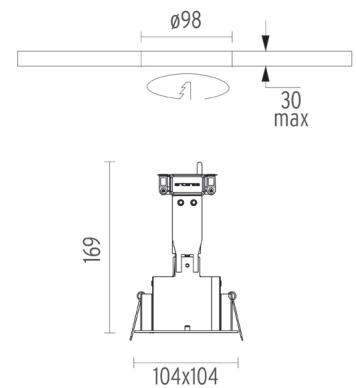
Lamp type:
QR-CBC 51



Micro Battery Fixed Opal Glass
designed by F.A. Porsche

12V halogen lamp recessed downlight.
Remote transformer not included

- 04.6300.20 Matt white
- 04.6300.08 Mercury
- 04.6300.14 Matt black



CERTIFICATIONS

