

## BATTERY NO TRIM LARGE 2L

<b>Number of heads</b>	2
<b>Mounting</b>	Ceiling recessed
<b>Lamps description</b>	2 x QR-III G53 Max 100W or 2 x LED QR-III G53
<b>Voltage (V)</b>	12
<b>Environment</b>	Indoor
<b>Notes</b>	Pre-installation frame must be ordered separately. Please ask Flos architectural sales team about QR-III lamps LED retrofit compatibility.

### OPTICAL

<b>Light controller description</b>	Bare lamps
<b>Aiming</b>	Adjustable
<b>Light distribution symmetry</b>	Symmetric
<b>Beam angle</b>	24°, 25°, 36°, 45°, 6°, 8°

### ELECTRICAL

<b>Transformer availability</b>	Separate item
<b>Transformer mounting</b>	Remote
<b>Transformer type</b>	Electronic, Electronic dimmable
<b>Emergency</b>	Without
<b>Insulation class</b>	Class III

### PHYSICAL

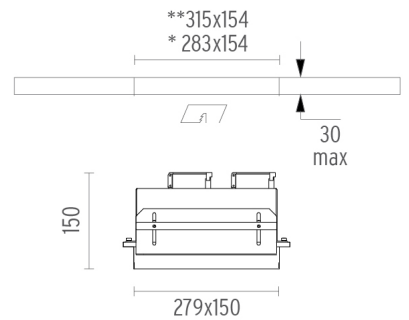
<b>Recessed depth (mm)</b>	150
<b>Construction material</b>	Aluminium
<b>Weight (kg)</b>	2,61



**Battery No Trim Large 2L**  
designed by F.A. Porsche

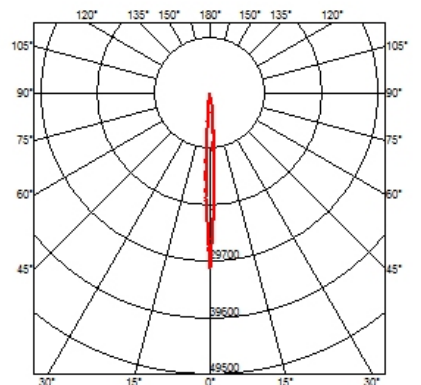
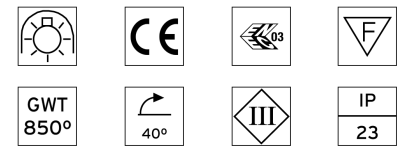
12V halogen lamp recessed downlight.  
Remote transformer not included

● 04.6002.20.NT	Matt white
● 04.6002.08.NT	Mercury
● 04.6002.14.NT	Matt black



\* Accessible ceiling: modular/open  
\*\* Inaccessible ceiling

### CERTIFICATIONS



## Battery No Trim Large 2L . Accessories

### Optical



- 08.8025.20
- 08.8025.08
- 08.8025.14

#### Elliptical light distribution lens

Elliptical light distribution lens in 4mm thick tempered glass.



- 08.8029.20
- 08.8029.08
- 08.8029.14

#### Honeycomb

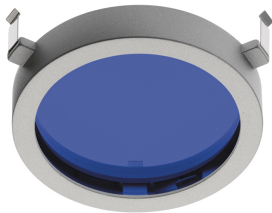
Anti-glare grid made of aluminium cells.



- 08.8030.20
- 08.8030.08
- 08.8030.14

#### Screening cylinder

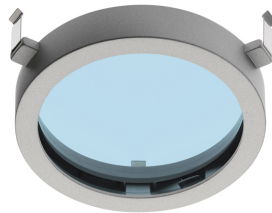
Screening cylinder with rotating pin in a black thermoplastic material



- 08.8027.20.AO
- 08.8027.08.AO
- 08.8027.14.AO

#### Blue filter

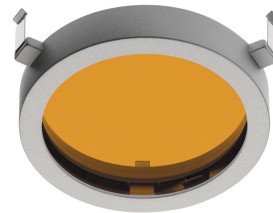
Blue filter



- 08.8027.20.AC
- 08.8027.08.AC
- 08.8027.14.AC

#### Sky blue filter

Sky blue filter



- 08.8027.20.AM
- 08.8027.08.AM
- 08.8027.14.AM

#### Amber filter

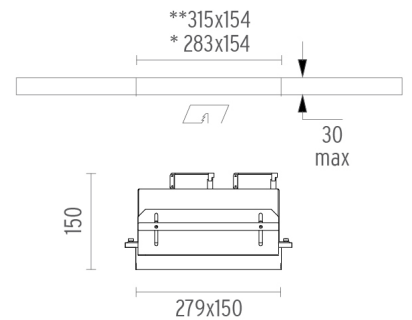
Amber filter



### Battery No Trim Large 2L designed by F.A. Porsche

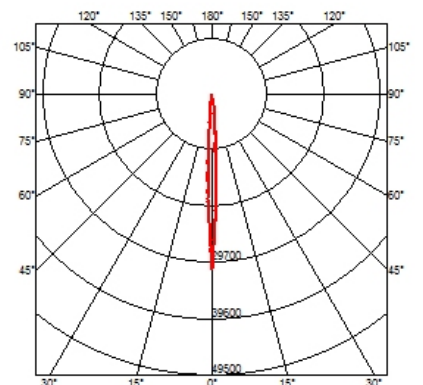
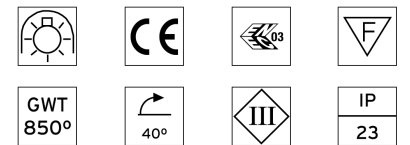
12V halogen lamp recessed downlight.  
Remote transformer not included

- 04.6002.20.NT Matt white
- 04.6002.08.NT Mercury
- 04.6002.14.NT Matt black

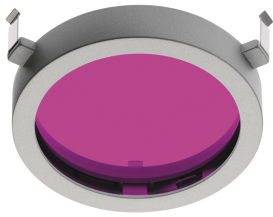


\* Accessible ceiling: modular/open  
\*\* Inaccessible ceiling

### CERTIFICATIONS



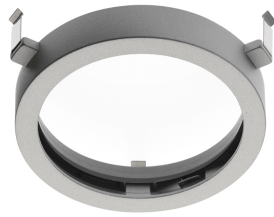
## Battery No Trim Large 2L . Accessories



- 08.8027.20.RO
- 08.8027.08.RO
- 08.8027.14.RO

### Red filter

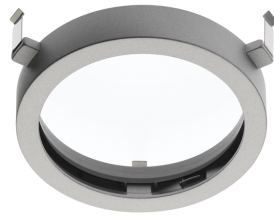
Red filter



- 08.8027.20.UV
- 08.8027.08.UV
- 08.8027.14.UV

### U.V. filter

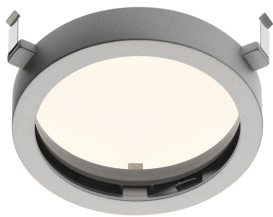
U.V. filter



- 08.8027.20.IR
- 08.8027.08.IR
- 08.8027.14.IR

### I.R. filter

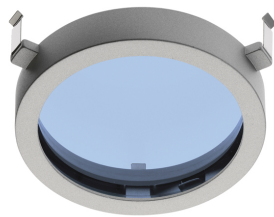
I.R. filter



- 08.8027.08.HL
- 08.8027.20.HL
- 08.8027.14.HL

### Hot Light

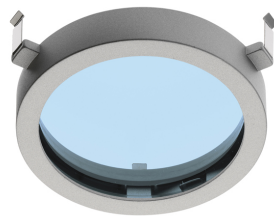
Hot Light



- 08.8027.20.CL
- 08.8027.08.CL
- 08.8027.14.CL

### Cold light filter

Cold light filter



- 08.8027.20.DL
- 08.8027.08.DL
- 08.8027.14.DL

### Daylight filter

Daylight filter

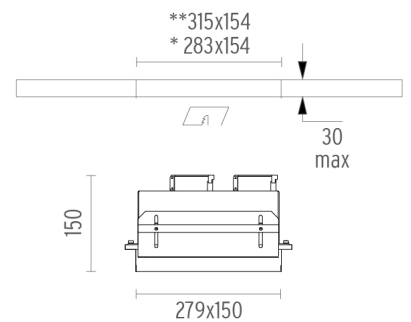


### Battery No Trim Large 2L

designed by F.A. Porsche

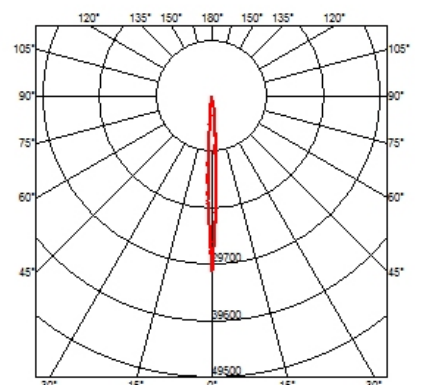
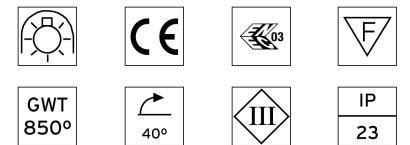
12V halogen lamp recessed downlight.  
Remote transformer not included

- 04.6002.20.NT Matt white
- 04.6002.08.NT Mercury
- 04.6002.14.NT Matt black



\* Accessible ceiling: modular/open  
\*\* Inaccessible ceiling

### CERTIFICATIONS



## Battery No Trim Large 2L . Accessories



- 08.8027.20.ND
- 08.8027.08.ND
- 08.8027.14.ND

**Neodimium**  
Neodimium

- 08.8180.20
- 08.8180.08
- 08.8180.14

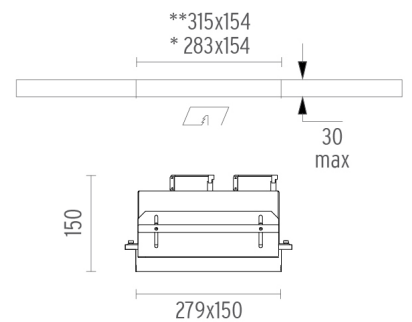
**Flood lens made in press glass**



**Battery No Trim Large 2L**  
designed by F.A. Porsche

12V halogen lamp recessed downlight.  
Remote transformer not included

- 04.6002.20.NT      Matt white
- 04.6002.08.NT      Mercury
- 04.6002.14.NT      Matt black



\* Accessible ceiling: modular/open  
\*\* Inaccessible ceiling

## Mounting

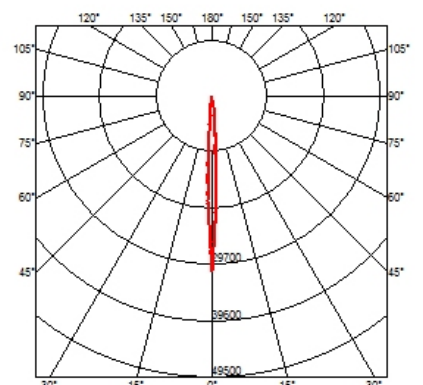
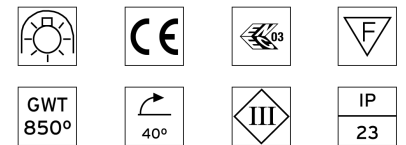


- 08.8085.00

**Pre-installation frame**

Pre-installation frame large 2  
lights

## CERTIFICATIONS



## Battery No Trim Large 2L . Lamps



60.6398

**QR-III**

**Lamp Watt:**  
35 W

**Lamp category:**  
Halogen low voltage

**Socket:**  
G53

**Lamp angle:**  
24 °

**Color temperature (K):**  
3000 °K

**Catalog reference:**  
60.6398

**Lamp type:**  
QR-III



60.6374

**QR-III**

**Lamp Watt:**  
50 W

**Lamp category:**  
Halogen low voltage

**Socket:**  
G53

**Lamp angle:**  
24 °

**Color temperature (K):**  
3000 °K

**Catalog reference:**  
60.6374

**Lamp type:**  
QR-III



60.6375

**QR-III**

**Lamp Watt:**  
75 W

**Lamp category:**  
Halogen low voltage

**Socket:**  
G53

**Lamp angle:**  
8 °

**Color temperature (K):**  
3000 °K

**Catalog reference:**  
60.6375

**Lamp type:**  
QR-III



60.6376

**QR-III**

**Lamp Watt:**  
75 W

**Lamp category:**  
Halogen low voltage

**Socket:**  
G53

**Lamp angle:**  
24 °

**Color temperature (K):**  
3000 °K

**Catalog reference:**  
60.6376

**Lamp type:**  
QR-III



60.6862

**QR-III**

**Lamp Watt:**  
30 W

**Lamp category:**  
Halogen low voltage

**Socket:**  
G53

**Lamp angle:**  
8 °

**Color temperature (K):**  
3000 °K

**Catalog reference:**  
60.6862

**Lamp type:**  
QR-III



60.6861

**QR-III**

**Lamp Watt:**  
45 W

**Lamp category:**  
Halogen low voltage

**Socket:**  
G53

**Lamp angle:**  
45 °

**Color temperature (K):**  
3000 °K

**Catalog reference:**  
60.6861

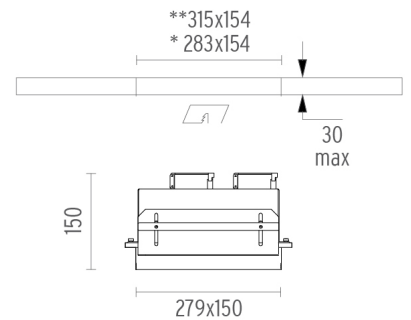
**Lamp type:**  
QR-III



**Battery No Trim Large 2L**  
designed by F.A. Porsche

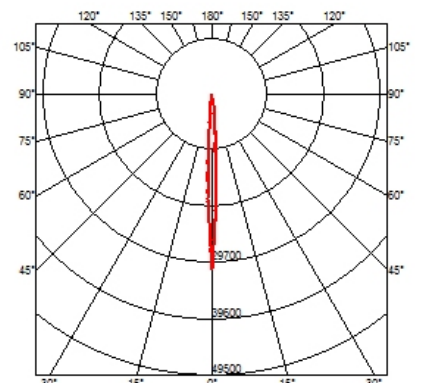
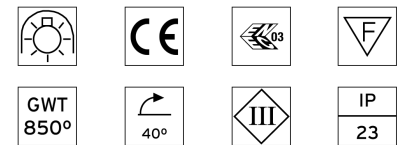
12V halogen lamp recessed downlight.  
Remote transformer not included

- 04.6002.20.NT Matt white
- 04.6002.08.NT Mercury
- 04.6002.14.NT Matt black



\* Accessible ceiling: modular/open  
\*\* Inaccessible ceiling

### CERTIFICATIONS



## Battery No Trim Large 2L . Lamps



60.6863

**QR-III**

**Lamp Watt:**  
60 W

**Lamp category:**  
Halogen low voltage

**Socket:**  
G53

**Lamp angle:**  
8 °

**Color temperature (K):**  
3000 °K

**Catalog reference:**  
60.6863

**Lamp type:**  
QR-III



60.6864

**QR-III**

**Lamp Watt:**  
60 W

**Lamp category:**  
Halogen low voltage

**Socket:**  
G53

**Lamp angle:**  
24 °

**Color temperature (K):**  
3000 °K

**Catalog reference:**  
60.6864

**Lamp type:**  
QR-III



60.6962

**LED QR-III**

**Lamp Watt:**  
12 W

**Lamp category:**  
LED

**Socket:**  
G53

**Lamp angle:**  
24 °

**Color temperature (K):**  
2800 °K

**Catalog reference:**  
60.6962

**Lamp type:**  
LED QR-III



60.6989

**QR-III**

**Lamp Watt:**  
50 W

**Lamp category:**  
Halogen low voltage

**Socket:**  
G53

**Lamp angle:**  
6 °

**Color temperature (K):**  
3000 °K

**Catalog reference:**  
60.6989

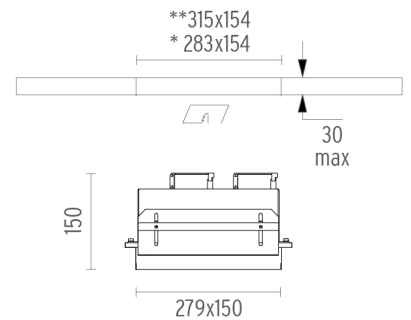
**Lamp type:**  
QR-III



**Battery No Trim Large 2L**  
designed by F.A. Porsche

12V halogen lamp recessed downlight.  
Remote transformer not included

- 04.6002.20.NT Matt white
- 04.6002.08.NT Mercury
- 04.6002.14.NT Matt black



\* Accessible ceiling: modular/open  
\*\* Inaccessible ceiling

### CERTIFICATIONS

