

BATTERY TRIM LARGE 1L

Number of heads	1
Mounting	Ceiling recessed
Lamps description	QR-111 G53 Max 100W or LED QR-111 G53
Voltage (V)	12
Environment	Indoor
Notes	Please ask Flos architectural sales team about QR-111 lamps LED retrofit compatibility.

OPTICAL

Light controller description	Bare lamps
Aiming	Adjustable
Light distribution symmetry	Symmetric
Beam angle	24°, 25°, 36°, 45°, 6°, 8°

ELECTRICAL

Transformer availability	Separate item
Transformer mounting	Remote
Transformer type	Electronic, Electronic dimmable
Emergency	Without
Insulation class	Class III

PHYSICAL

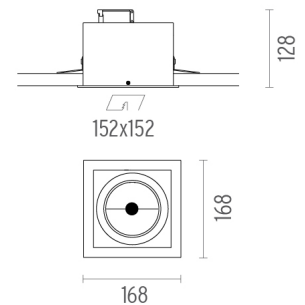
Recessed depth (mm)	128
Construction material	Aluminium
Weight (kg)	1,22



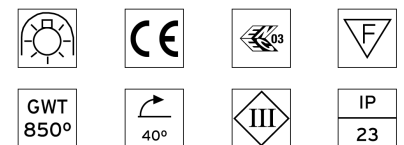
Battery Trim Large 1L
designed by F.A. Porsche

12V halogen lamp recessed downlight.
Remote transformer not included

● 04.6001.20	Matt white
● 04.6001.08	Mercury
● 04.6001.14	Matt black



CERTIFICATIONS



Battery Trim Large IL . Accessories

Optical



- 08.8025.20
- 08.8025.08
- 08.8025.14

Elliptical light distribution lens

Elliptical light distribution lens in 4mm thick tempered glass.



- 08.8029.20
- 08.8029.08
- 08.8029.14

Honeycomb

Anti-glare grid made of aluminium cells.



- 08.8030.20
- 08.8030.08
- 08.8030.14

Screening cylinder

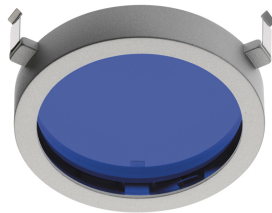
Screening cylinder with rotating pin in a black thermoplastic material



Battery Trim Large IL designed by F.A. Porsche

12V halogen lamp recessed downlight.
Remote transformer not included

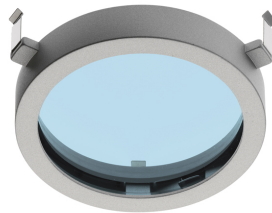
- 04.6001.20 Matt white
- 04.6001.08 Mercury
- 04.6001.14 Matt black



- 08.8027.20.AO
- 08.8027.08.AO
- 08.8027.14.AO

Blue filter

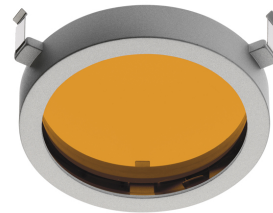
Blue filter



- 08.8027.20.AC
- 08.8027.08.AC
- 08.8027.14.AC

Sky blue filter

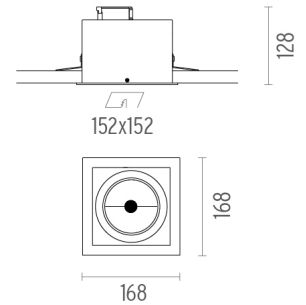
Sky blue filter



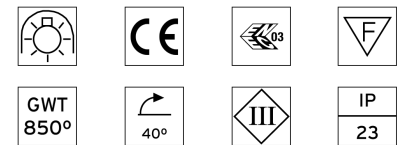
- 08.8027.20.AM
- 08.8027.08.AM
- 08.8027.14.AM

Amber filter

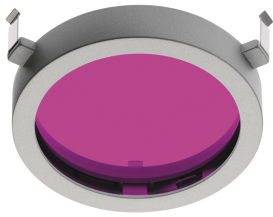
Amber filter



CERTIFICATIONS



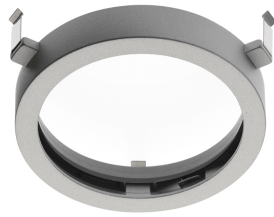
Battery Trim Large IL . Accessories



- 08.8027.20.RO
- 08.8027.08.RO
- 08.8027.14.RO

Red filter

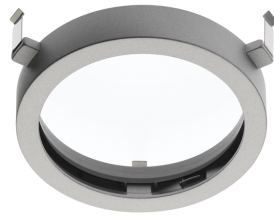
Red filter



- 08.8027.20.UV
- 08.8027.08.UV
- 08.8027.14.UV

U.V. filter

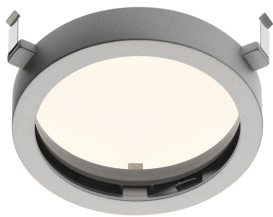
U.V. filter



- 08.8027.20.IR
- 08.8027.08.IR
- 08.8027.14.IR

I.R. filter

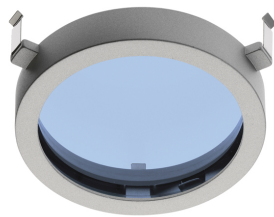
I.R. filter



- 08.8027.08.HL
- 08.8027.20.HL
- 08.8027.14.HL

Hot Light

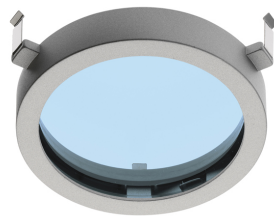
Hot Light



- 08.8027.20.CL
- 08.8027.08.CL
- 08.8027.14.CL

Cold light filter

Cold light filter



- 08.8027.20.DL
- 08.8027.08.DL
- 08.8027.14.DL

Daylight filter

Daylight filter

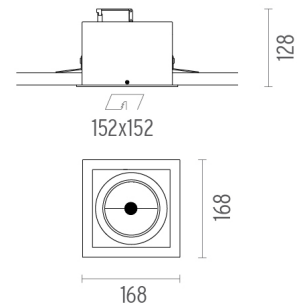


Battery Trim Large IL

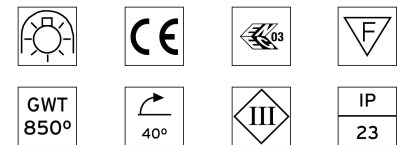
designed by F.A. Porsche

12V halogen lamp recessed downlight.
Remote transformer not included

- 04.6001.20 Matt white
- 04.6001.08 Mercury
- 04.6001.14 Matt black



CERTIFICATIONS



Battery Trim Large IL . Accessories



- 08.8027.20.ND
- 08.8027.08.ND
- 08.8027.14.ND

Neodimium

Neodimium

- 08.8180.20
- 08.8180.08
- 08.8180.14

Flood lens made in press glass

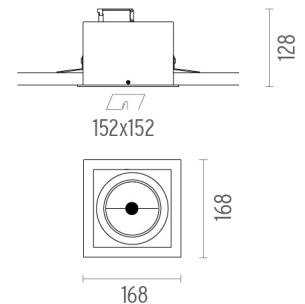


Battery Trim Large IL
designed by F.A. Porsche

12V halogen lamp recessed downlight.
Remote transformer not included

- 04.6001.20 Matt white
- 04.6001.08 Mercury
- 04.6001.14 Matt black

Battery Trim Large IL . Lamps



60.6398

QR-III

Lamp Watt:

35 W

Lamp category:

Halogen low voltage

Socket:

G53

Lamp angle:

24 °

Color temperature (K):

3000 °K

Catalog reference:

60.6398

Lamp type:

QR-III

60.6374

QR-III

Lamp Watt:

50 W

Lamp category:

Halogen low voltage

Socket:

G53

Lamp angle:

24 °

Color temperature (K):

3000 °K

Catalog reference:

60.6374

Lamp type:

QR-III

60.6375

QR-III

Lamp Watt:

75 W

Lamp category:

Halogen low voltage

Socket:

G53

Lamp angle:

8 °

Color temperature (K):

3000 °K

Catalog reference:

60.6375

Lamp type:

QR-III

CERTIFICATIONS



Battery Trim Large IL . Lamps



60.6376

QR-III

Lamp Watt:
75 W

Lamp category:
Halogen low voltage

Socket:
G53

Lamp angle:
24 °

Color temperature (K):
3000 °K

Catalog reference:
60.6376

Lamp type:
QR-III



60.6862

QR-III

Lamp Watt:
30 W

Lamp category:
Halogen low voltage

Socket:
G53

Lamp angle:
8 °

Color temperature (K):
3000 °K

Catalog reference:
60.6862

Lamp type:
QR-III



60.6861

QR-III

Lamp Watt:
45 W

Lamp category:
Halogen low voltage

Socket:
G53

Lamp angle:
45 °

Color temperature (K):
3000 °K

Catalog reference:
60.6861

Lamp type:
QR-III



60.6863

QR-III

Lamp Watt:
60 W

Lamp category:
Halogen low voltage

Socket:
G53

Lamp angle:
8 °

Color temperature (K):
3000 °K

Catalog reference:
60.6863

Lamp type:
QR-III



60.6864

QR-III

Lamp Watt:
60 W

Lamp category:
Halogen low voltage

Socket:
G53

Lamp angle:
24 °

Color temperature (K):
3000 °K

Catalog reference:
60.6864

Lamp type:
QR-III



60.6962

LED QR-III

Lamp Watt:
12 W

Lamp category:
LED

Socket:
G53

Lamp angle:
24 °

Color temperature (K):
2800 °K

Catalog reference:
60.6962

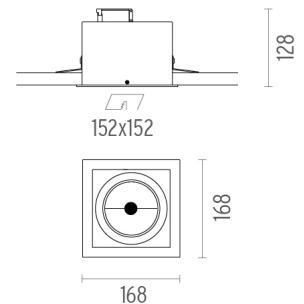
Lamp type:
LED QR-III



Battery Trim Large IL
designed by F.A. Porsche

12V halogen lamp recessed downlight.
Remote transformer not included

- 04.6001.20 Matt white
- 04.6001.08 Mercury
- 04.6001.14 Matt black



CERTIFICATIONS



Battery Trim Large IL . Lamps



60.6989

QR-III

Lamp Watt:

50 W

Lamp category:

Halogen low voltage

Socket:

G53

Lamp angle:

6 °

Color temperature (K):

3000 °K

Catalog reference:

60.6989

Lamp type:

QR-III

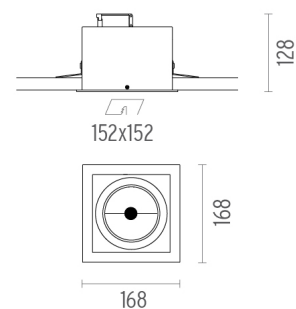


Battery Trim Large IL

designed by F.A. Porsche

12V halogen lamp recessed downlight.
Remote transformer not included

● 04.6001.20	Matt white
● 04.6001.08	Mercury
● 04.6001.14	Matt black



CERTIFICATIONS

