

## SUSPENSION PANEL 600 ROD 400 MM ON BOARD DIMMER

<b>Number of heads</b>	1
<b>Mounting</b>	Track mounting
<b>Lamps description</b>	Top LED 40W 3381 lm 3000K CRI 90
<b>Luminaire luminous flux</b>	See reference number
<b>Voltage (V)</b>	48
<b>Environment</b>	Indoor

### OPTICAL

<b>Aiming</b>	Fixed
<b>Light distribution symmetry</b>	Symmetric

### ELECTRICAL

<b>Transformer availability</b>	Separate item
<b>Transformer mounting</b>	Remote
<b>Transformer type</b>	Electronic dimmable
<b>Emergency</b>	Without
<b>Insulation class</b>	Class III

### PHYSICAL

<b>Weight (kg)</b>	4,5
--------------------	-----



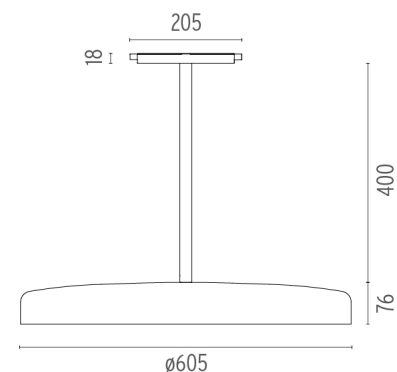
### Suspension Panel 600 Rod 400 mm On Board Dimmer

designed by Vincent Van Duysen

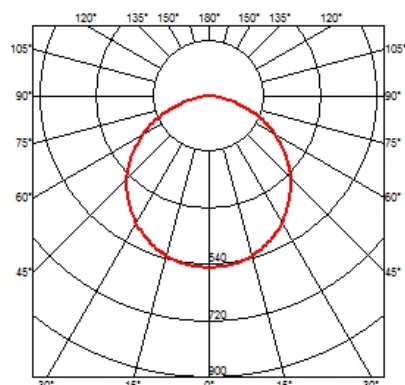
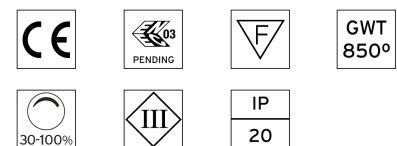
<div>Suspended luminaire with rigid rod, to be installed in the Infra-Structure system.</div>

03.8143.40 - 113° - 1618lm White / White

03.8143.14 - 114° - 1573lm Black / Gold



### CERTIFICATIONS



## Suspension Panel 600 Rod 400 mm On Board Dimmer . Lamps



**Top LED**

**Lamp category:**  
LED

**Socket:**  
Special base



**Lamp type:**  
Top LED

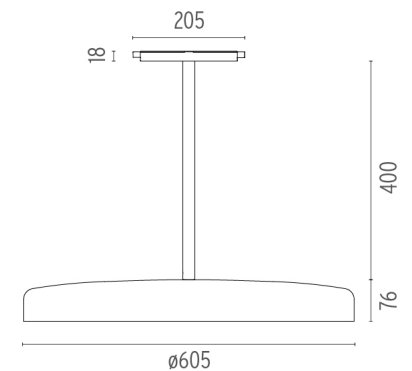


### Suspension Panel 600 Rod 400 mm On Board Dimmer

designed by Vincent Van Duysen

<div>Suspended luminaire with rigid rod, to be installed in the Infra-Structure system.</div>

-  03.8143.40 - 113° - 1618lm White / White
-  03.8143.14 - 114° - 1573lm Black / Gold



### CERTIFICATIONS

