

SUSPENSION PANEL 600 ROD 400 MM DIMMABLE I-10V

Number of heads	1
Mounting	Track mounting
Lamps description	Top LED 40W 3381 lm 3000K CRI 90
Luminaire luminous flux	See reference number
Voltage (V)	48
Environment	Indoor
Notes	Only compatible with DALI, I-10V, FLOS SMART CONTROL profile version.

OPTICAL

Aiming	Fixed
Light distribution symmetry	Symmetric

ELECTRICAL

Transformer availability	Separate item
Transformer mounting	Remote
Transformer type	Electronic dimmable I-10V
Emergency	Without
Insulation class	Class III

PHYSICAL

Weight (kg)	4,5
--------------------	-----

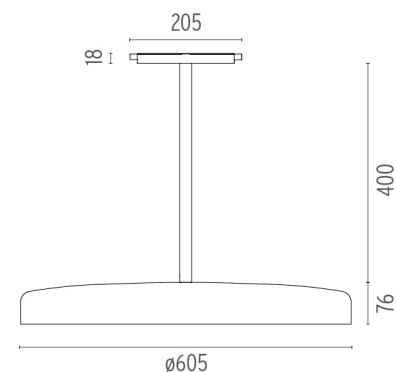


Suspension Panel 600 Rod 400 mm Dimmable I-10V

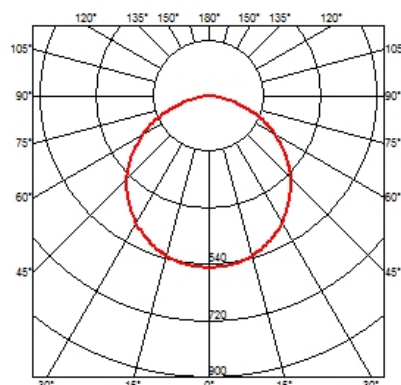
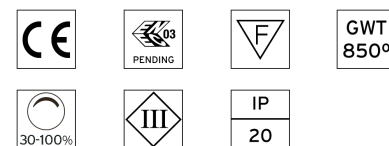
designed by Vincent Van Duysen

<div>Suspended luminaire with rigid rod, to be installed in the Infra-Structure system.</div>

- 03.8143.40.IV - 113° - 1618lm White / White
- 03.8143.14.IV - 114° - 1573lm Black / Gold



CERTIFICATIONS



Suspension Panel 600 Rod 400 mm Dimmable I-10V . Lamps



Top LED

Lamp category:

LED

Socket:

Special base

Lamp type:

Top LED

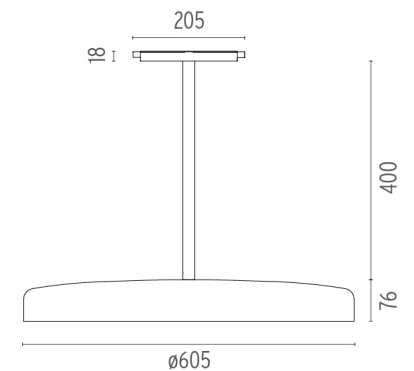


Suspension Panel 600 Rod 400 mm Dimmable I-10V

designed by Vincent Van Duysen

<div>Suspended luminaire with rigid rod, to be installed in the Infra-Structure system.</div>

- 03.8143.40.IV - 113° - 1618lm White / White
- 03.8143.14.IV - 114° - 1573lm Black / Gold



CERTIFICATIONS

