

SUSPENSION PANEL 600 ROD 400 MM DALI VERSION

Number of heads	1
Mounting	Track mounting
Lamps description	Top LED 40W 3195 lm 2700K CRI 90
Luminaire luminous flux	See reference number
Voltage (V)	48
Environment	Indoor
Notes	Only compatible with DALI, I-10V, FLOS SMART CONTROL profile version.

OPTICAL

Aiming	Fixed
Light distribution symmetry	Symmetric

ELECTRICAL

Transformer availability	Separate item
Transformer mounting	Remote
Transformer type	Electronic dimmable dali
Emergency	Without
Insulation class	Class III

PHYSICAL

Weight (kg)	4,5
--------------------	-----

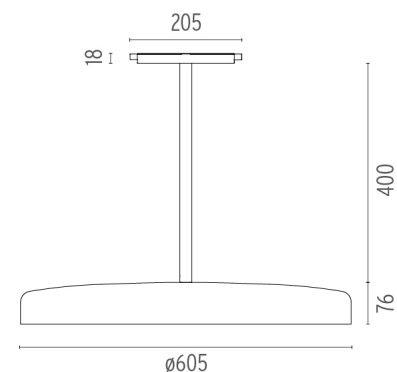


Suspension Panel 600 Rod 400 mm Dali Version

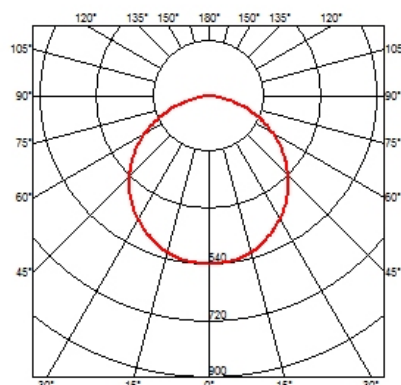
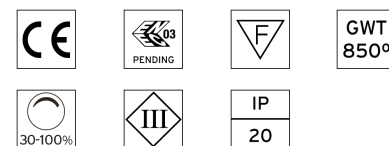
designed by Vincent Van Duysen

Suspended luminaire with rigid rod, to be installed in the Infra-Structure system.

- 03.8141.40.DA - 113° - 1529lm White / White
- 03.8141.14.DA - 114° - 1486lm Black / Gold



CERTIFICATIONS



Suspension Panel 600 Rod 400 mm Dali Version . Lamps



Top LED

Lamp category:
LED

Socket:
Special base



Lamp type:
Top LED

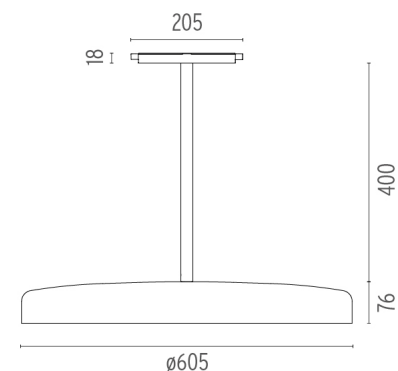


Suspension Panel 600 Rod 400 mm Dali Version

designed by Vincent Van Duysen

<div>Suspended luminaire with rigid rod, to be installed in the Infra-Structure system.</div>

-  03.8141.40.DA - 113° - 1529lm White / White
-  03.8141.14.DA - 114° - 1486lm Black / Gold



CERTIFICATIONS

