

SUSPENSION PANEL 600 ROD 400 MM DIMMABLE I-10V

Number of heads	1
Mounting	Track mounting
Lamps description	Top LED 40W 3195 lm 2700K CRI 90
Luminaire luminous flux	See reference number
Voltage (V)	48
Environment	Indoor
Notes	Only compatible with DALI, I-10V, FLOS SMART CONTROL profile version.



OPTICAL

Aiming	Fixed
Light distribution symmetry	Symmetric

Suspension Panel 600 Rod 400 mm Dimmable I-10V

designed by Vincent Van Duysen

<div>Suspended luminaire with rigid rod, to be installed in the Infra-Structure system.</div>

ELECTRICAL

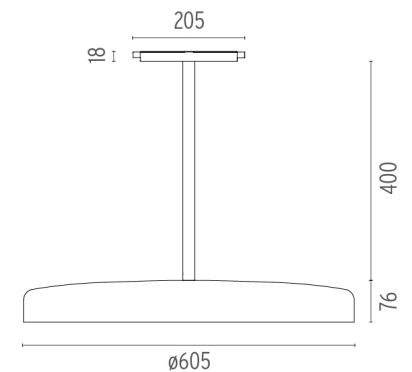
Transformer availability	Separate item
Transformer mounting	Remote
Transformer type	Electronic dimmable I-10V
Emergency	Without
Insulation class	Class III

03.8141.40.IV - 113° - 1529lm White / White

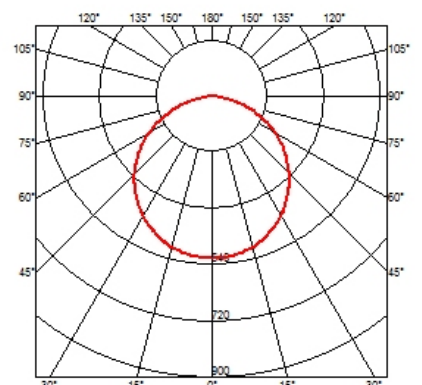
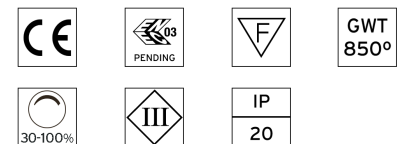
03.8141.14.IV - 114° - 1486lm Black / Gold

PHYSICAL

Weight (kg)	4,5
--------------------	-----



CERTIFICATIONS



Suspension Panel 600 Rod 400 mm Dimmable I-10V . Lamps



Top LED

Lamp category:
LED

Socket:
Special base

Lamp type:
Top LED

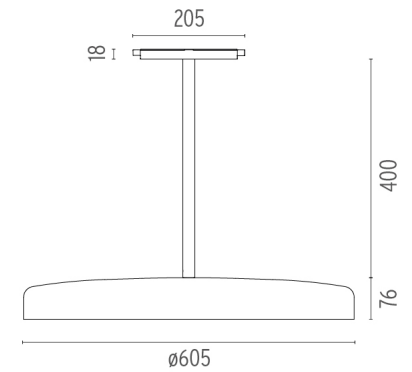


Suspension Panel 600 Rod 400 mm Dimmable I-10V

designed by Vincent Van Duysen

<div>Suspended luminaire with rigid rod, to be installed in the Infra-Structure system.</div>

- 03.8141.40.IV - 113° - 1529lm White / White
- 03.8141.14.IV - 114° - 1486lm Black / Gold



CERTIFICATIONS

