

LIGHT SUPPLY ADJUSTABLE TRIM

Number of heads	1
Mounting	Ceiling recessed
Lamps description	Phosphor LED 28W 3000 lm 4000K CRI 80
Luminaire luminous flux	Extreme Cut-off. See reference number
Voltage (V)	220/240
Environment	Indoor

OPTICAL

Aiming	Adjustable
Light distribution symmetry	Symmetric
Beam angle	16° Spot

ELECTRICAL

Transformer availability	Included
Transformer mounting	Remote
Transformer type	Electronic
Emergency	Without
Insulation class	Class II

PHYSICAL

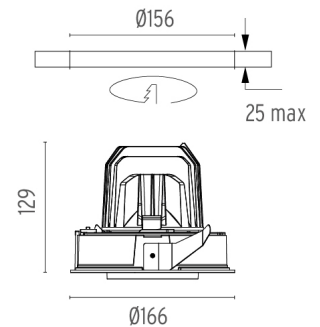
Cutout diameter (mm)	156
Recessed depth (mm)	239
Construction material	Aluminium
Weight (kg)	1,01



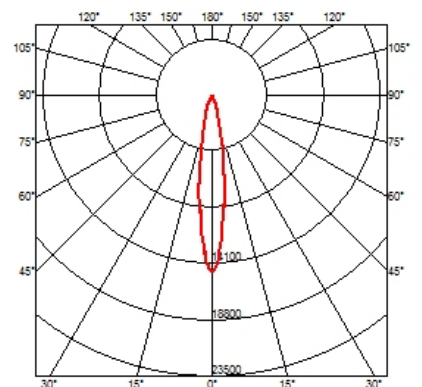
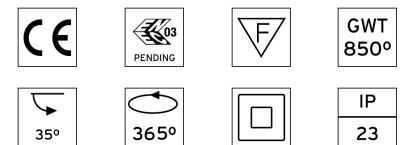
Light Supply Adjustable Trim
designed by FLOS Architectural

Recessed luminaire with integrated Phosphor LED light source. Remote 220/240V driver included.

● 03.6603.40 - 1871lm	White
● 03.6603.14 - 1871lm	Black



CERTIFICATIONS



Light Supply Adjustable Trim . Accessories

Optical



● 08.8049.14
Honeycomb. Small Cells



● 08.8377.14
Honeycomb. Big Cells



● 08.8242.14
Screening crosspiece



○ 08.8117.68
Flood lens



○ 08.8118.68
Elliptical lens



○ 08.8413.00
Light Supply Adjustable spare reflector. Spot



○ 08.8414.00
Light Supply Adjustable spare reflector. Medium



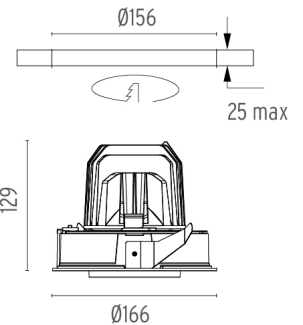
○ 08.8415.00
Light Supply Adjustable spare reflector. Flood



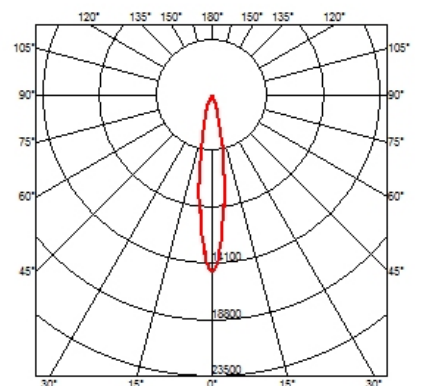
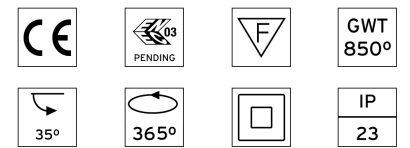
Light Supply Adjustable Trim
designed by FLOS Architectural

Recessed luminaire with integrated Phosphor LED light source. Remote 220/240V driver included.

- 03.6603.40 - 1871lm White
- 03.6603.14 - 1871lm Black



CERTIFICATIONS



Light Supply Adjustable Trim . Lamps



Phosphor LED

Lamp category:
LED

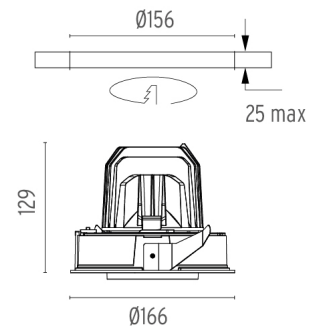
Lamp type:
Phosphor LED



Light Supply Adjustable Trim designed by FLOS Architectural

Recessed luminaire with integrated Phosphor LED light source. Remote 220/240V driver included.

- 03.6603.40 - 1871lm White
- 03.6603.14 - 1871lm Black



CERTIFICATIONS

